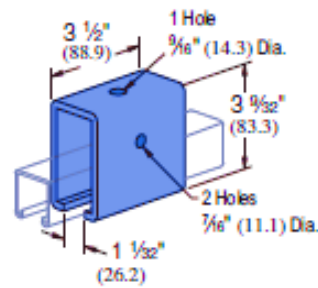


Requires 3/8" x 2 1/2" Bolt and 3/8" Nut (not included)

Design Load  
1200 Lbs (5.34 kN)

Wt/100 pcs: 102 Lbs (46.3 kg)

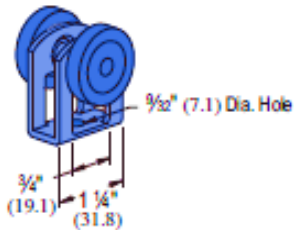


Requires 3/8" x 2 1/2" Bolt and 3/8" Nut (not included)

Design Load  
2500 Lbs (11.12 kN)

Wt/100 pcs: 220 Lbs (99.8 kg)

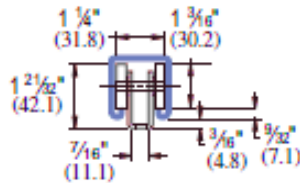
P2749, P2749N†



Clevis Material:  
12 gauge.

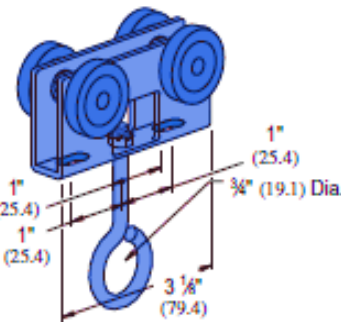
\*Wheel bearings are stainless steel, and should not be lubricated.

† "N" indicates acetal wheels.



Part Number	Design Load Lbs (kN)	Wt/100 pcs Lbs (kg)
P2749	50 .22	21 9.5
P2749N	10 .04	13 5.9

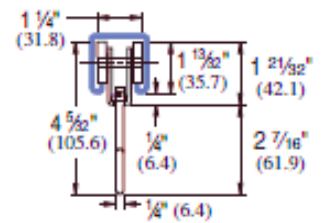
P2751, P2751 N†



Clevis Material: 12 gauge.

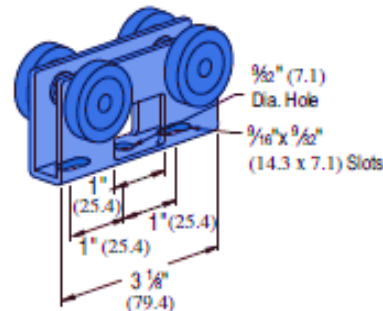
\*Wheel bearings are stainless steel, and should not be lubricated.

† "N" indicates acetal wheels.



Part Number	Design Load Lbs (kN)	Wt/100 pcs Lbs (kg)
P2751	100 .44	63 28.6
P2751N	20 .09	40 18.1

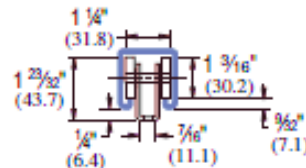
P2750, P2750N†



Clevis Material: 12 gauge.

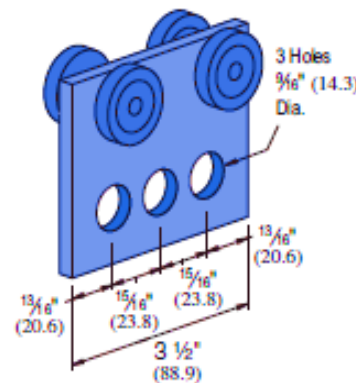
\*Wheel bearings are stainless steel, and should not be lubricated.

† "N" indicates acetal wheels.

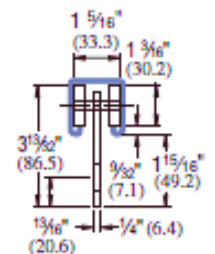


Part Number	Design Load Lbs (kN)	Wt/100 pcs Lbs (kg)
P2750	100 .44	55 24.9
P2750N	20 .09	32 14.5

P2950

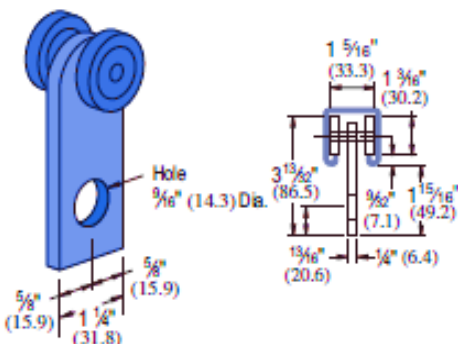


Wheel bearings are stainless steel. Do not lubricate.



FPM	RPM	Design Load In P1000 Lbs (kN)
180	600	300 1.33
90	300	450 2.00
30	100	600 2.67

P2949



FPM	RPM	Design Load In P1000 Lbs (kN)
180	600	150 .67
90	300	225 1.00
30	100	437 1.94

Wheel bearings are stainless steel. Do not lubricate.

Wt/100 pcs: 46 Lbs (20.9 kg)

Wt/100 pcs: 110 Lbs (49.9 kg)

Standard Dimensions for 1 1/2" (41.3mm) width series channel fittings (Unless Otherwise Shown on Drawing)

Hole Diameter: 9/16" (14.3mm); Hole Spacing - From End: 13/16" (20.6mm); Hole Spacing - On Center: 1 1/2" (47.6mm); Width: 1 1/2" (41.3mm); Thickness: 1/4" (6.4mm)