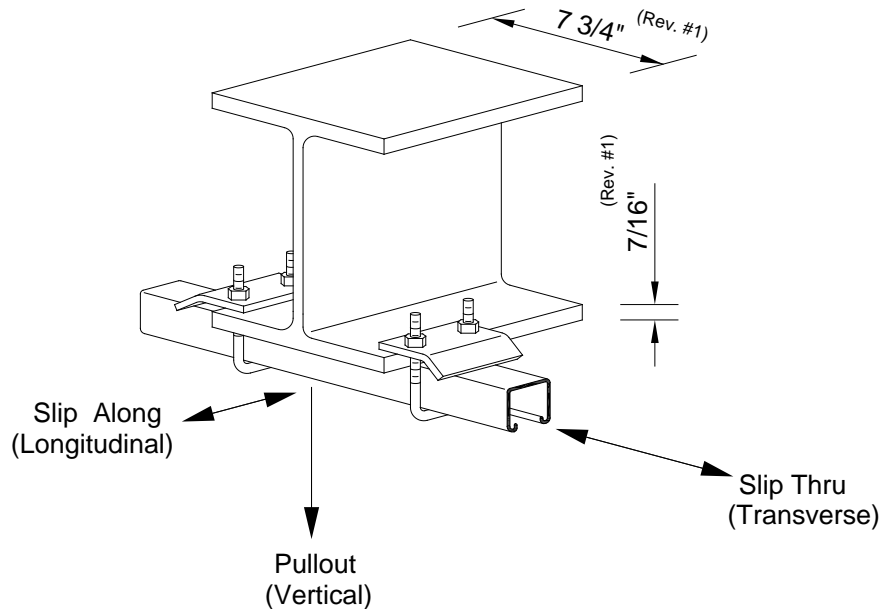


## DESIGN LOAD REPORT

Part Description: P2785 Beam Clamps  
Report Date: May 14, 2008



Average Ultimate Loads (lbs)			Allowed Loads (lbs)		
Pullout	Slip Along	Slip Thru	Pullout	Slip Along	Slip Thru
11,300	2,900	6,300	2,000	500	1,200

### NOTES

1. Ultimate Loads from Test Book #16, Page 34 & Test Report C-121A
2. Average Minimum Safety Factor of 5
3. Allowed Loads are for a 2 clamp installation
4. Must Use Clamps in Pairs

Unistrut Engineering