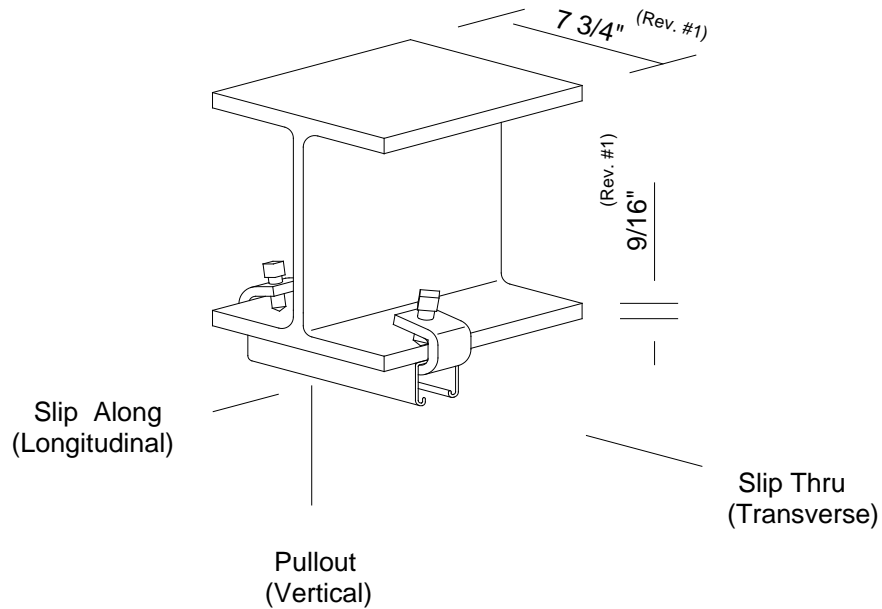


## DESIGN LOAD REPORT

Part Description: P1985 S Beam Clamps  
Report Date: May 14, 2008



Average Ultimate Load (lbs)			Allowed Load (lbs)		
Pullout	Slip Along	Slip Thru	Pullout	Slip Along	Slip Thru
7,500	4,900	2,900	1,000	900	500

### NOTES

1. Ultimate Loads from Test Report C-121
2. Average Minimum Safety Factor of 5
3. Allowed Loads are for a 2 clamp installation
4. Must Use Clamps in Pairs

