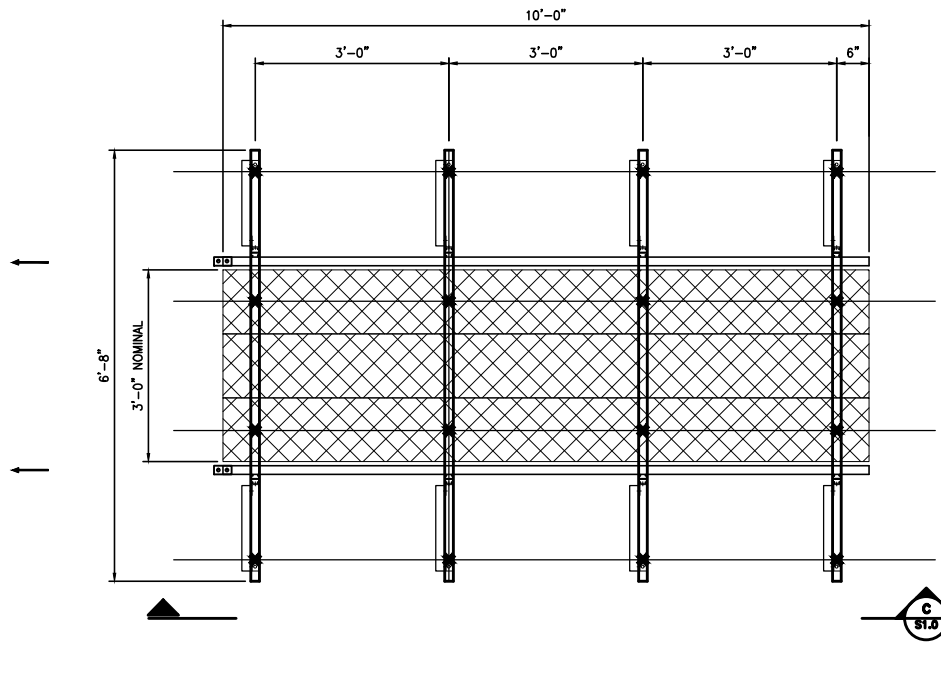


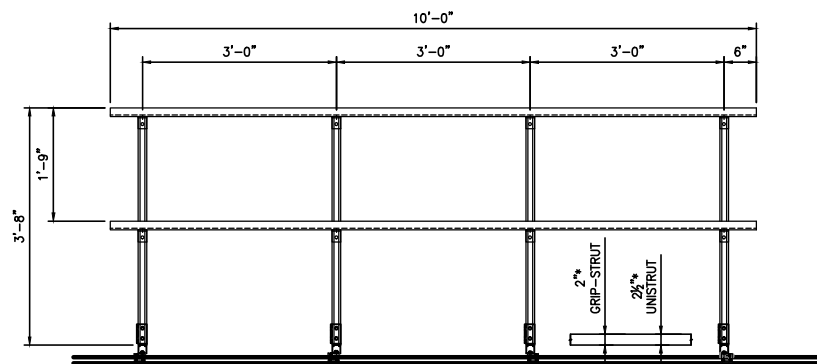
**UNISTRUT PARALLEL 10'-0" WALKWAY PLAN W/ 2-RAILS**  
**PART NO. GWSG-23610-S**  
**PART NO. GSWSP-23610-S**  
 SCALE: 3/4"=1'-0"



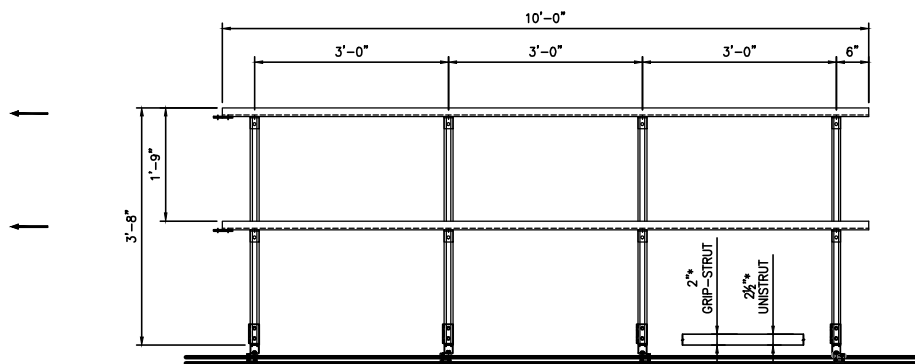
**UNISTRUT TYPICAL 10'-0" WALKWAY PLAN W/ 2-RAILS**  
**PART NO. GWSG-23610-S**  
**PART NO. GSWSP-23610-A**  
 SCALE: 3/4"=1'-0"

COMMON FINISHES ARE PRE-GALVANIZED (PG) AND PERMA GREEN. OTHER MATERIAL AND FINISHES ARE AVAILABLE, CONTACT UNISTRUT SERVICE COMPANY FOR MORE INFORMATION

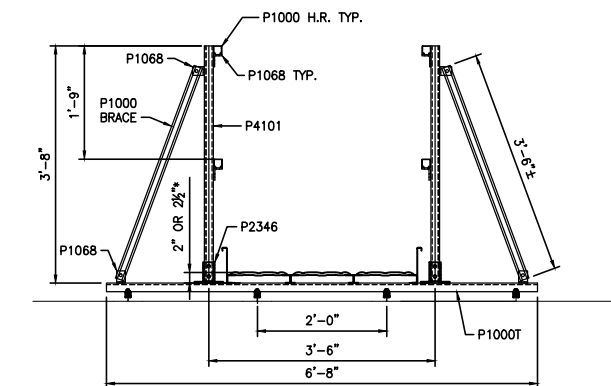
THE STANDARD DETAIL IS FOR REFERENCE ONLY, AND IS NOT CONSIDERED TO BE AN ENGINEERED SYSTEM UNLESS PURCHASED THROUGH UNISTRUT SERVICE COMPANY 24400 SPERRY DR. WESTLAKE, OHIO 44145. STANDARD DETAILS ARE FOR DESIGN INTENT ONLY. ACTUAL CONDITIONS, INCLUDING BUT NOT LIMITED TO LOADING, ELEVATIONS, OVERALL SIZE, SPACING, BUILDING STRUCTURE, FIELD CONDITIONS, MEP INTERFERENCES, ETC CAN AND WILL VARY. CONTACT UNISTRUT SERVICE COMPANY AT 440-348-9450, OR WWW.UNISTRUTOHIO.COM FOR A SITE SPECIFIC QUOTE.



**SECTION A**  
 SCALE: 3/4"=1'-0"




**SECTION C**  
 SCALE: 3/4"=1'-0"



**SECTION B**  
 SCALE: 3/4"=1'-0"

NOT FOR CONSTRUCTION

 <b>Unistrut Service Company</b> 24400 Sperry Drive Cleveland, OH 44145 Phone: 440-348-9450 1-800-621-2508 Fax: 440-348-9455 E-Mail: info@UnistrutOhio.com	
<b>CLIENT:</b> <b>UNISTRUT SERVICE COMPANY</b>	
<b>PROJECT DESCRIPTION:</b> <b>USC</b> <b>WESTLAKE, OHIO</b>	
<b>DRAWING TITLE:</b> <b>STD. TWO RAIL WALK PARA. TO ROOF SEAMS</b>	
<b>REV. NO.</b> 0	<b>DATE</b> X
<b>REV. DESCRIPTION</b>	
<b>DESIGN BY:</b> D.TURK	<b>DATE:</b> 3/7/2017
<b>CHECKED BY:</b>	<b>DATE:</b>
<b>OTHER:</b>	<b>DATE:</b>
<b>PROJECT NO.</b> 7001	<b>DWG NO.</b> -S1.0
<b>SCALE:</b> AS NOTED	<b>SHEET</b> 1 OF 1

REV. NO.	DATE	REV. DESCRIPTION
0	X	