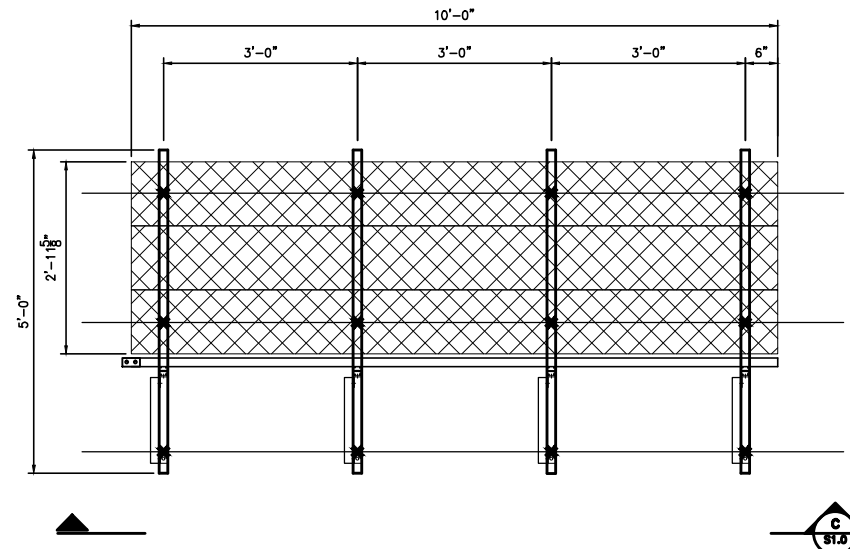


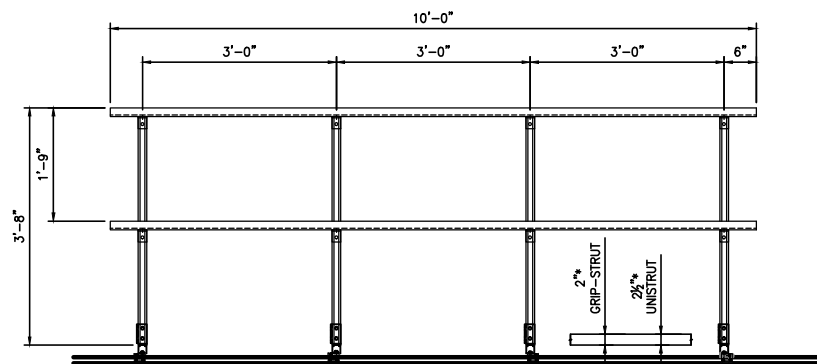
UNISTRUT PARALLEL 10'-0" WALKWAY PLAN W/ 1-RAIL
PART NO. GSWG-13610-S
PART NO. GSWSP-13610-S
 SCALE: 3/4"=1'-0"



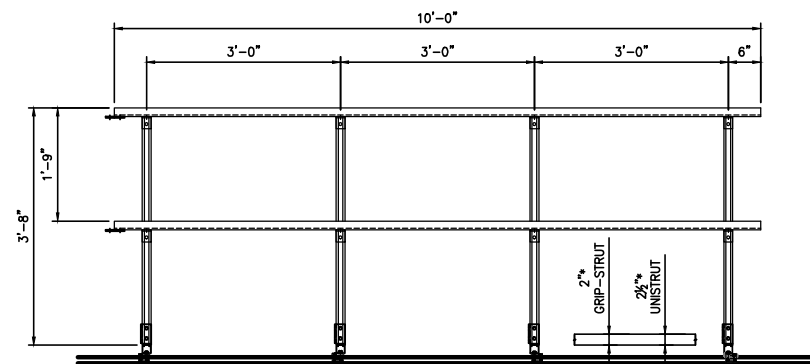
UNISTRUT TYPICAL 10'-0" WALKWAY PLAN W/ 1-RAIL
PART NO. GSWG-13610-A
PART NO. GSWSP-13610-A
 SCALE: 3/4"=1'-0"

COMMON FINISHES ARE PRE-GALVANIZED (PG) AND PERMA GREEN. OTHER MATERIAL AND FINISHES ARE AVAILABLE, CONTACT UNISTRUT SERVICE COMPANY FOR MORE INFORMATION

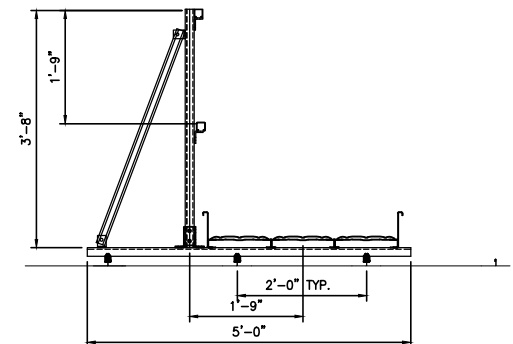
THE STANDARD DETAIL IS FOR REFERENCE ONLY, AND IS NOT CONSIDERED TO BE AN ENGINEERED SYSTEM UNLESS PURCHASED THROUGH UNISTRUT SERVICE COMPANY 24400 SPERRY DR. WESTLAKE, OHIO 44145. STANDARD DETAILS ARE FOR DESIGN INTENT ONLY. ACTUAL CONDITIONS, INCLUDING BUT NOT LIMITED TO LOADS, ELEVATIONS, OVERALL SIZE, SPACING BUILDING STRUCTURE, FIELD CONDITIONS, MEP INTERFERENCES, ETC CAN AND WILL VARY. CONTACT UNISTRUT SERVICE COMPANY AT 440-348-9450, OR WWW.UNISTRUTOHIO.COM FOR A SITE SPECIFIC QUOTE.



SECTION A
 SCALE: 3/4"=1'-0"



SECTION C
 SCALE: 3/4"=1'-0"



SECTION B
 SCALE: 3/4"=1'-0"

NOT FOR CONSTRUCTION

 Unistrut Service Company 24400 Sperry Drive Cleveland, OH 44145 Phone: 440-348-9450 1-800-621-2508 Fax: 440-348-9455 E-Mail: info@UnistrutOhio.com	
CLIENT: UNISTRUT SERVICE COMPANY	
PROJECT DESCRIPTION: USC WESTLAKE, OHIO	
DRAWING TITLE: STANDARD ONE RAIL WALK PARA TO SEAMS	
PROJECT NO. 7001	DWG NO. -S1.0
DATE: 3/7/2017	REV: 0
SCALE: AS NOTED	
SHEET 1 OF 1	

REV. NO.	DATE	REV. DESCRIPTION	ISSUED BY	DATE
0	X		D.TURK	3/7/2017