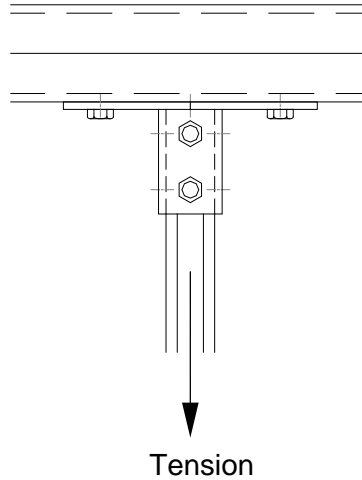


Part Description: P2072A  
Report Date: January 15, 2007



Ave. Ultimate Tension (lbs)	Design Tension Load (lbs)	Ave. Deflection at Design Tension Load
11,200	3,000	0.056"

**NOTES**

1. Ave. Ultimate Load from Test T-067
2. Testing Based on 1/2"-13 Channel Nut & Cap Screw Torqued to 50 ft-lbs
3. Average Safety Factor = 3.7
4. Design Load Limited to 3,000 lb Slip Load of Two (2) 1/2"-13 Channel Nuts, SF = 3
5. Deflection is the Average Deflection Reading at 3,000 lbs
6. Deflection is Measured in the Direction of the Tension Load

Unistrut Engineering