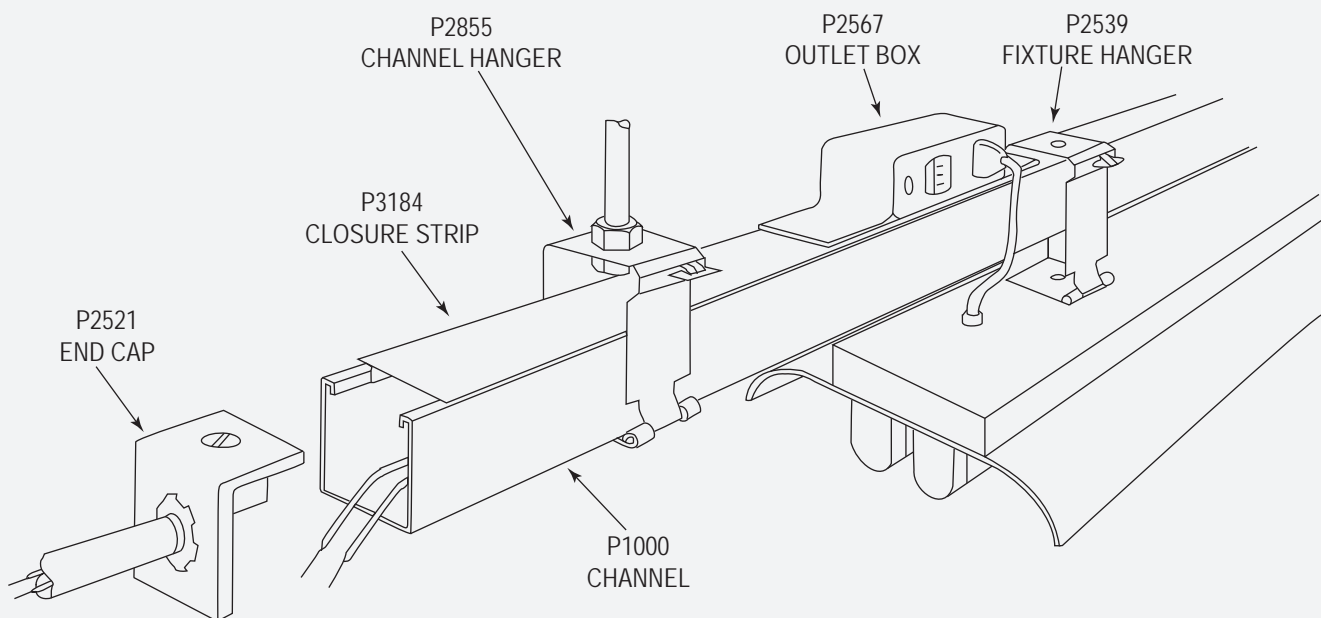


UNISTRUT® CHANNEL FOR MOUNTING LED LIGHTING



LED lighting installation has never been easier.

The Unistrut metal framing system allows lighting fixtures to be securely fastened, supported, and electrified. The broad range of hangers and fittings allow mounting of many different types of fixtures, and many different support and raceway configurations. Using the channel as a raceway provides a cleaner look and speeds up installation and maintenance, saving you Time and Money.



Complete installation in minutes. No screws, bolts or cotter pins to lose.

Unistrut's extensive line of fixture hangers, fittings, junction boxes, hardware and cable clamps can be used with standard channel and closure strips to construct a complete electrical raceway and support system.

Unistrut is listed as an electrical raceway by Underwriters Laboratories as specified by the National Electrical Code (Article 384).



For a complete list of our electrical products, visit our website at www.unistrut.us under Metal Framing or contact your local sales agent.

unistrut.us

UNISTRUT®

A PART OF  **atkore**
INTERNATIONAL

US-L-5009-1607

UNISTRUT. BUILD SOMETHING GREAT.