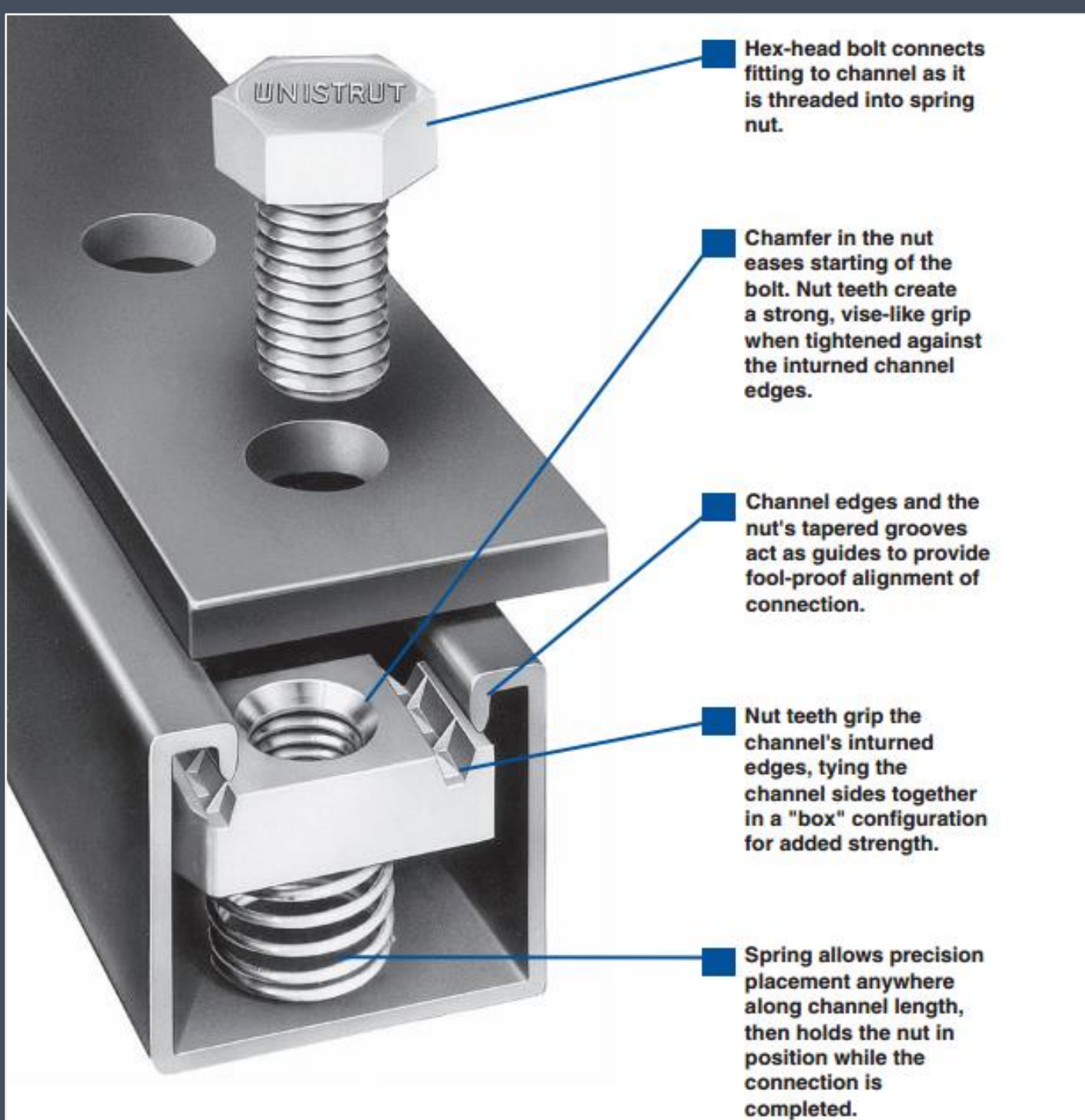


THE UNISTRUT® SYSTEM

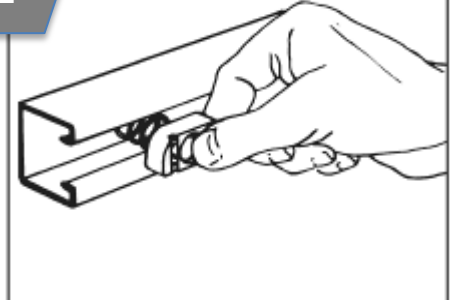
THE UNISTRUT FRAMING SYSTEM SAVES TIME AND REDUCES YOUR LABOR COSTS. BUT BEFORE WE REVIEW THE 5-STEPS TO SECURE CONNECTIONS, LETS REVIEW THE KEY FEATURES OF THE UNISTRUT SYSTEM THAT WILL HELP YOU BUILD WITH CONFIDENCE.



MAKE SECURE CONNECTIONS WITH UNISTRUT BY FOLLOWING THESE 5 SIMPLE STEPS:

1. Insert a spring loaded or regular channel nut anywhere along the length of Unistrut channel. The ability to pick any point along the section of strut gives you the maximum flexibility to make your connection. Both spring loaded and regular Unistrut channel nuts feature rounded ends for easy insertion.

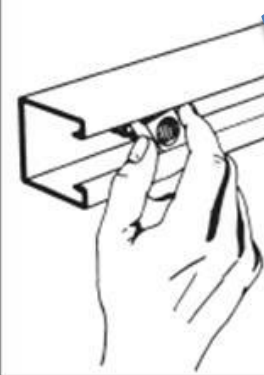
1



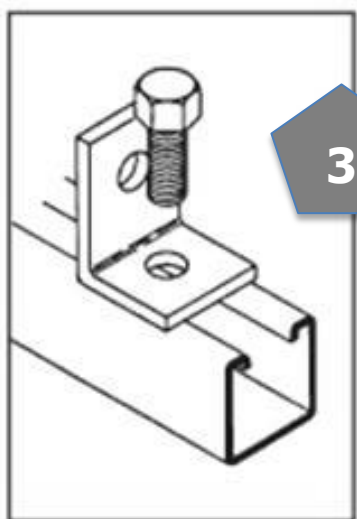
2. Insert the bolt through the fitting and into the channel nut and finger tighten. (See illustration 5 for an end view showing the nut in place.)

3. Fittings can be placed anywhere along the channel opening, creating complete freedom of adjustment while eliminating the need to drill holes.

2



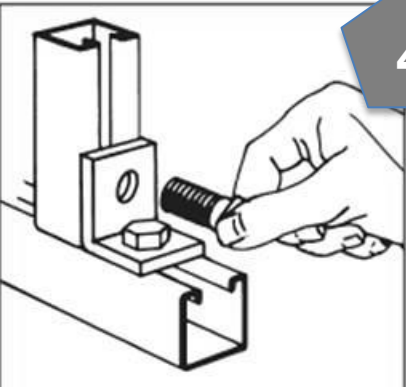
3



4. A 90-degree clockwise turn aligns the grooves in the nut with the inturned edges of the channel.

Tighten the bolt with an ordinary hand wrench, and you're done!

4



5. Next, bolt the additional channel section in place by following the procedures outlined in steps 1-3.

5

