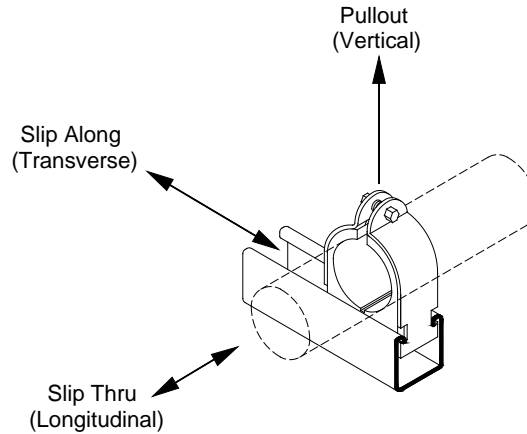


Part Description : CUSH-A-CLAMP  
Date : August 22, 2005



| Clamp Part No. | Nominal Pipe Size | Average Ultimate Load (lbs) |            |           | Design Load (lbs) |            |           |
|----------------|-------------------|-----------------------------|------------|-----------|-------------------|------------|-----------|
|                |                   | Pullout                     | Slip Along | Slip Thru | Pullout           | Slip Along | Slip Thru |
| 009N012        | 1/4"              | 1,600                       | 100        | 140       | 200               | 20         | 20        |
| 011N014        | 3/8"              | 1,400                       | 170        | 240       | 200               | 20         | 20        |
| 014N018        | 1/2"              | 1,800                       | 190        | 160       | 300               | 30         | 30        |
| 017N022        | 3/4"              | 2,300                       | 270        | 310       | 400               | 30         | 30        |
| 021N026        | 1"                | 2,100                       | 140        | 200       | 400               | 30         | 30        |
| 027N032        | 1 1/4"            | 3,100                       | 270        | 260       | 500               | 50         | 50        |
| 030N034        | 1 1/2"            | 4,000                       | 640        | 340       | 500               | 70         | 50        |
| 038N044        | 2"                | 4,000                       | 580        | 310       | 500               | 70         | 50        |
| 046N052        | 2 1/2"            | 2,900                       | 350        | 270       | 500               | 70         | 50        |
| 056N062        | 3"                | 4,800                       | 910        | 550       | 900               | 150        | 90        |
| 064N072        | 3 1/2"            | 4,800                       | 790        | 460       | 900               | 150        | 90        |
| 072N080        | 4"                | 4,800                       | 920        | 500       | 900               | 150        | 90        |
| 089N096        | 5"                | 5,800                       | 820        | 630       | 1,000             | 160        | 120       |
| 106N114        | 6"                | 6,500                       | 1,000      | 770       | 1,000             | 160        | 120       |

### NOTES

1. Ultimate Loads from Test Report C-210
2. Minimum Safety Factor of 5
3. Temperature Range -50° F to +275° F

Unistrut Engineering