

EZ SERIES FIXED ACCESS LADDERS

Patent Pending

Engineered from the
ground up for
**OSHA 1910.23
COMPLIANCE**



Installs in three easy steps ———



1 ATTACH MOUNTING
BRACKETS



2 PLACE RUNG
IN BRACKET



3 SECURE WITH BOLT-
ON CAPTURE PLATE

THE FASTEST INSTALLING - EASIEST CLIMBING - LONGEST LASTING - FIXED ACCESS LADDER SYSTEM

Patent Pending

Faster, Safer Climbs

- The widest rail to rail and terminal pass through dimensions in the industry provide safe access and easily accomodates vertical lifeline installation
- Flat stock side rails for secure hand holds
- Grooved rungs for enhanced traction



Built for the Long Haul

- Carbon steel with standard hot dipped galvanized finish outlasts powder coated ladders
- The only fixed ladder with a limited lifetime warranty
- Made in the USA

BETTER LADDERS BY DESIGN

Patent Pending

EZ Series Ladders reduce installation times
by 50%

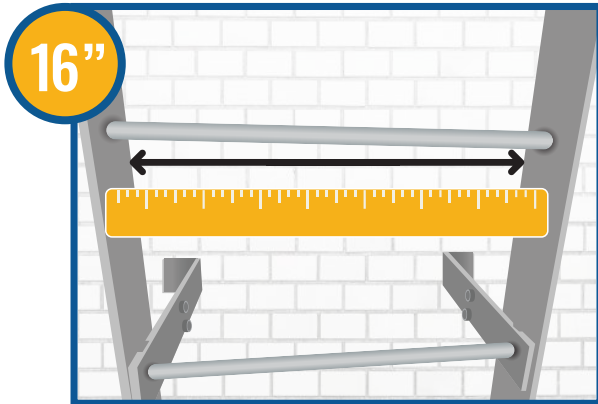
- Engineered side rails allow for precise placement of bolt-on stand-off brackets, eliminating the need for field modifications
- Stand-off brackets adjust from 7-1/2" to 14" to work around obstructions and ensure OSHA compliance
- Universal stand-off brackets mount ladder to side of building or concrete below



Features	EZ Series Ladders	Competing Brands
Rung Width	20"	16"
Walk Through	30"	24"
Stand-Off Brackets	Bolt On, With Vertical/Horizontal Adjustability	Permanently Welded
Floor/Bottom Mount	Yes	No
Side Rail Construction	3" Flat Stock	2" x 2" Angle
Standard Finish	Hot Dipped Galvanized	Powder Coated
Freight Costs	10' Max Modular Sections Reduce Freight Costs	Over Length LTL Surcharges Apply

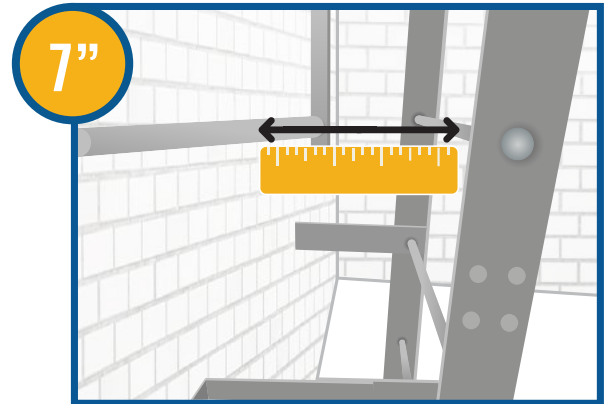
5 IMPORTANT MEASUREMENTS FOR OSHA - COMPLIANT FIXED ACCESS LADDERS

24 Feet The following measurements all related to fixed (permanently mounted) access ladders that reach **24 feet or more above a lower level.**



Climbing width: must be a minimum of 16 inches.

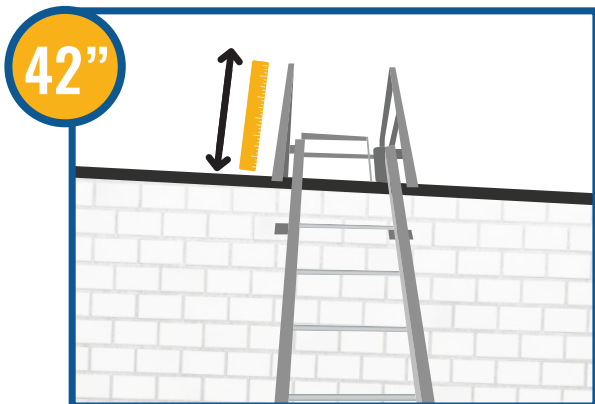
Per OSHA 1910.23 (b) (4)



A stand-off distance of 7 inches.

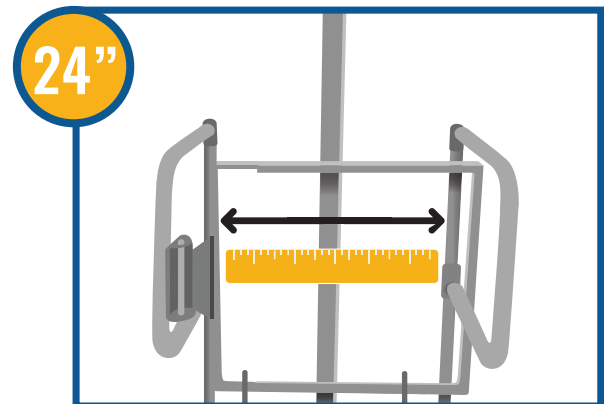
7 inches minimum must be measured from the mid-point of the ladder rung to the nearest permanent object in back of the ladder. Be sure to allow safe clearance including any permanent obstructions in your calculation.

Per OSHA 1910.23 (d) (2)



To protect the worker exiting a ladder, OSHA requires a **42-inch high grab bar extension** above the access level or landing platform at the top of the ladder.

Per OSHA 1910.23 (d) (4)

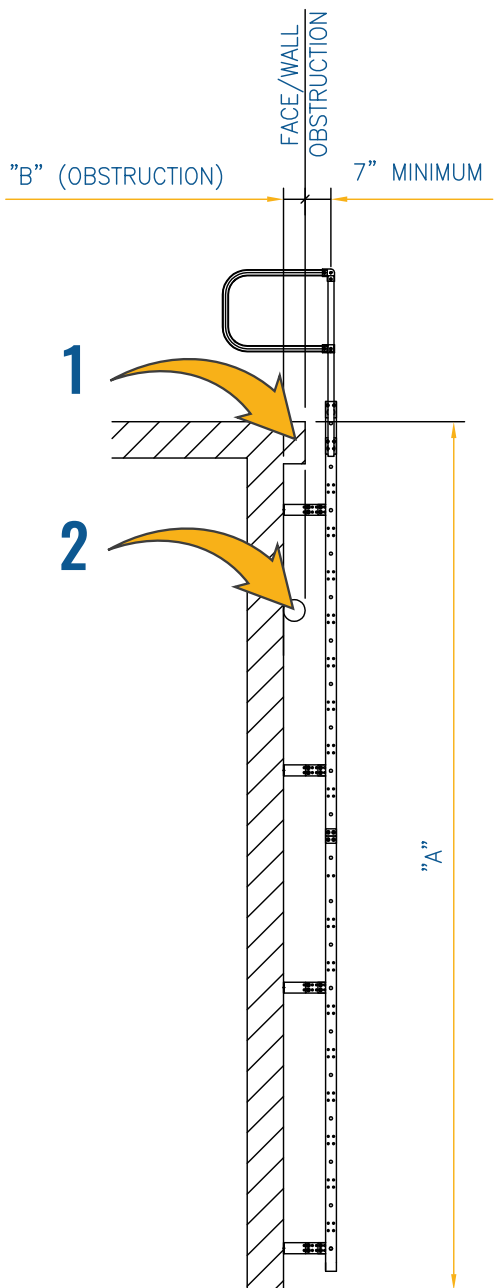


The (required) extension above the top access level must be **at least 24 inches wide** (to accommodate the width of climber's body). The extension can be no more than 30 inches wide, (36 inches if a ladder lifeline is provided) allowing the climber to easily reach both hand rails.

Per OSHA 1910.23 (d) (5)

MEASURING FOR LADDER LENGTH AND STAND-OFF DISTANCE

Pass Through Fig. 1



OSHA compliance requires fixed ladders to have a minimum of 7" of clear distance from the ladder rungs' center line to the building INCLUDING ANY PERMANENT OBSTRUCTIONS.

(Measurement B, figure 1)

Common obstructions to consider when ordering and installing ladders include:

1. Roof or gutter overhang
2. Pipe or conduit
3. Parapet walls

How to Measure for Proper Ladder Length

• Pass Through Applications:

Measure from the point at which the climber steps off to within 14 inches of lower surface **(Measurement A, figure 1)**.

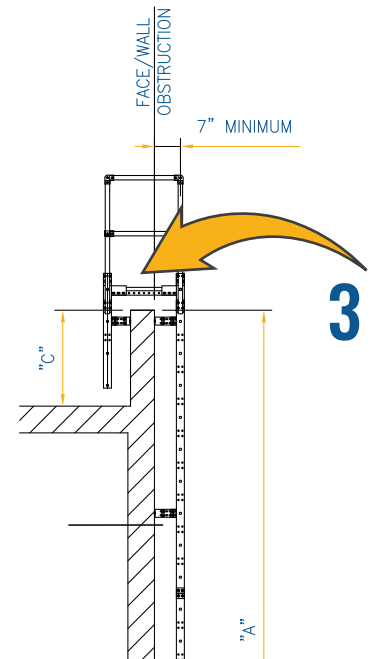
• Parapet Wall Applications:

Measure both top of parapet wall to within 14 inches of lower level AND top of parapet wall to roof surface as two ladders are typically required. **(Measurement A and C, figure 2)** Specify the Universal Parapet Cross Over Kit when ordering.

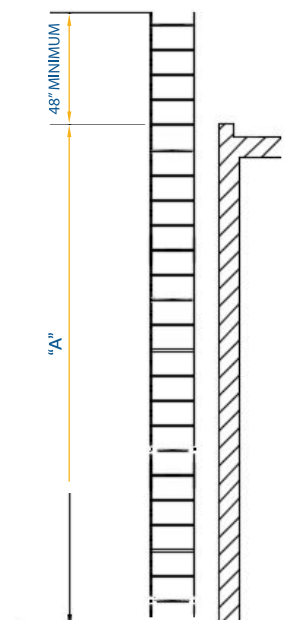
• Side Step Applications:

Measure from the point where the climber steps off the ladder to within 14 inches of lower level PLUS 48 INCHES **(Measurement A, figure 3)**.

Parapet Cross Over Fig. 2



Side Step Fig. 3



EZ SERIES FIXED ACCESS LADDERS ORDERING INFORMATION

Patent Pending

Height	Standard Ladder	Ladder Plus 42" Walk Through
5'	FL-5	FL-5-WT
6'	FL-6	FL-6-WT
7'	FL-7	FL-7-WT
8'	FL-8	FL-8-WT
9'	FL-9	FL-9-WT
10'	FL-10	FL-10-WT
11'	FL-11	FL-11-WT
12'	FL-12	FL-12-WT
13'	FL-13	FL-13-WT
14'	FL-14	FL-14-WT
15'	FL-15	FL-15-WT
16'	FL-16	FL-16-WT
17'	FL-17	FL-17-WT
18'	FL-18	FL-18-WT
19'	FL-19	FL-19-WT
20'	FL-20	FL-20-WT
21'	FL-21	FL-21-WT
22'	FL-22	FL-22-WT
23'	FL-23	FL-23-WT
24'	FL-24	FL-24-WT
25'	FL-25	FL-25-WT
26'	FL-26	FL-26-WT
27'	FL-27	FL-27-WT
28'	FL-28	FL-28-WT
29'	FL-29	FL-29-WT
30'	FL-30	FL-30-WT

EZ Ladder System Accessories:



Swing Gate



Ladder Guard



Vertical Lifeline



Parapet Crossover Kit

Part Number	Description
SG233816	Safety Swing Gate
FL-PR-01	Standard P Return
FL-GR-01	4' Guardrail Style Return
FL-LGDFP-02	Ladder Guard Door (For DFP Ladders)
FL-LGEXIST-02	Ladder Guard Door (For Other Ladders)
FL-PCO-01	Universal Parapet Crossover Kit



24400 Sperry Drive • Cleveland, OH 44145
440-348-9460

Represented By: