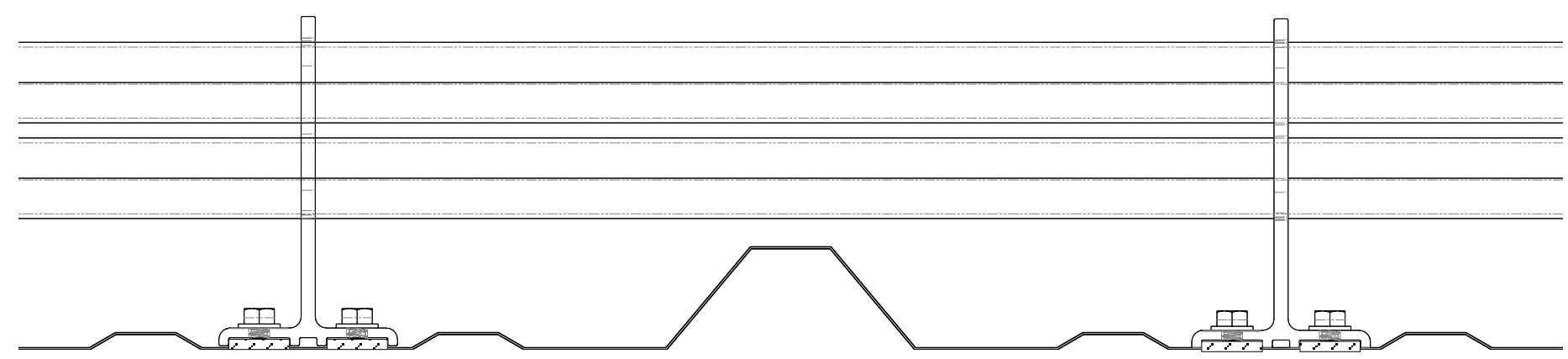
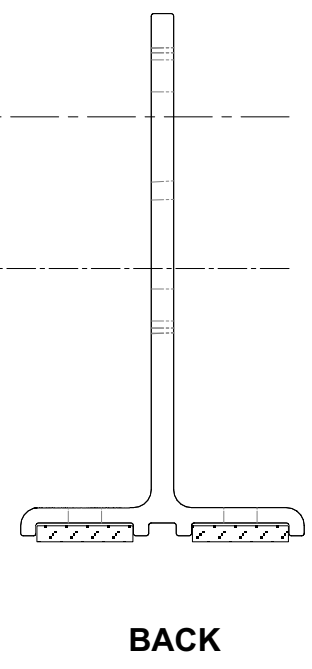
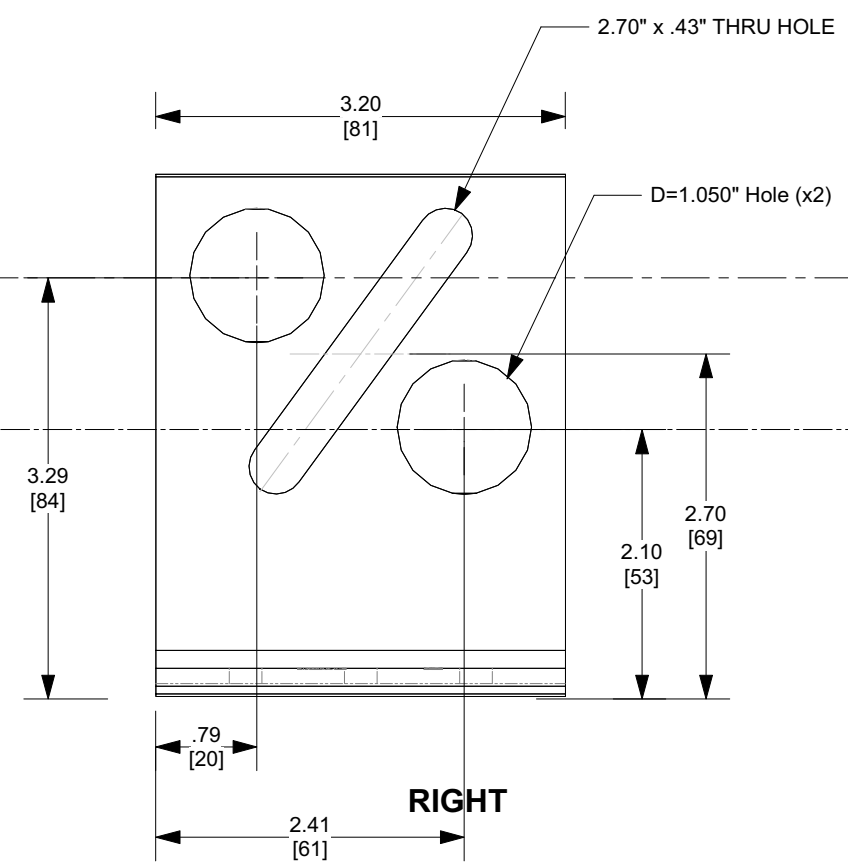
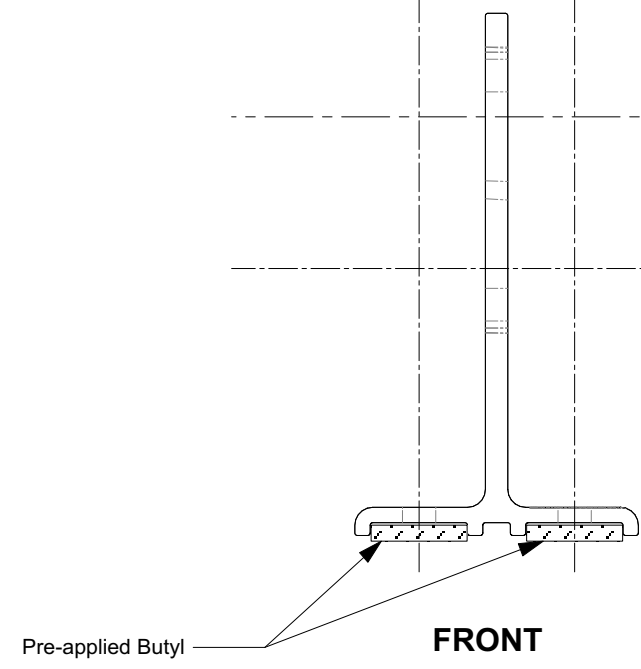
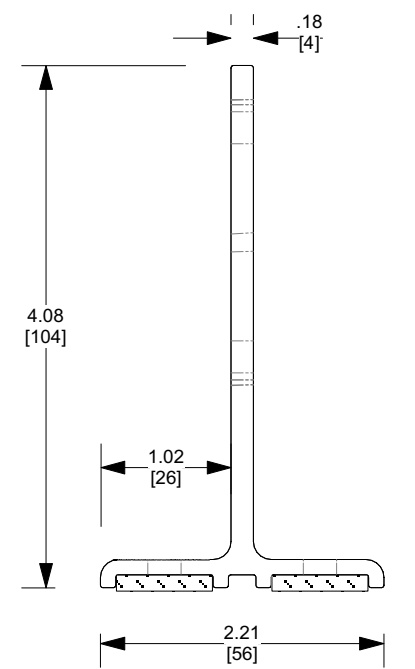
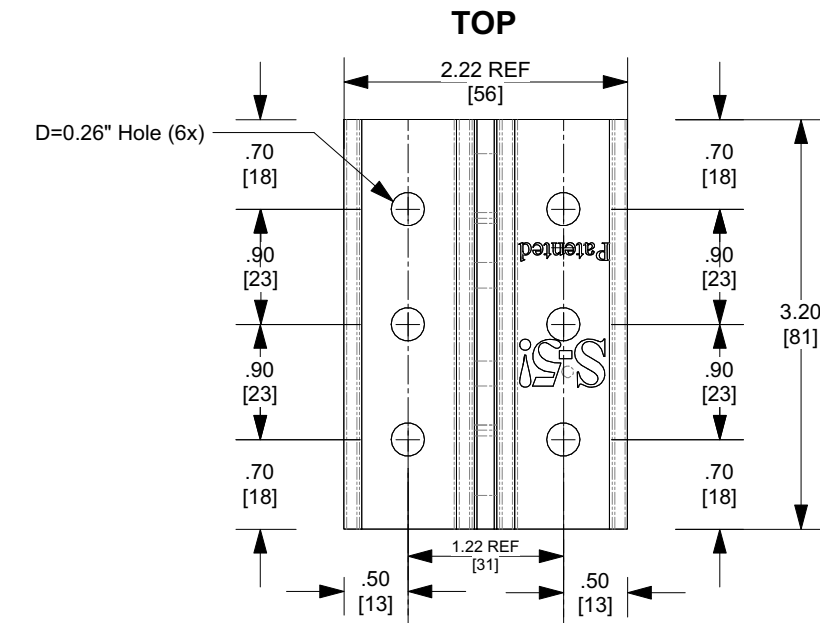
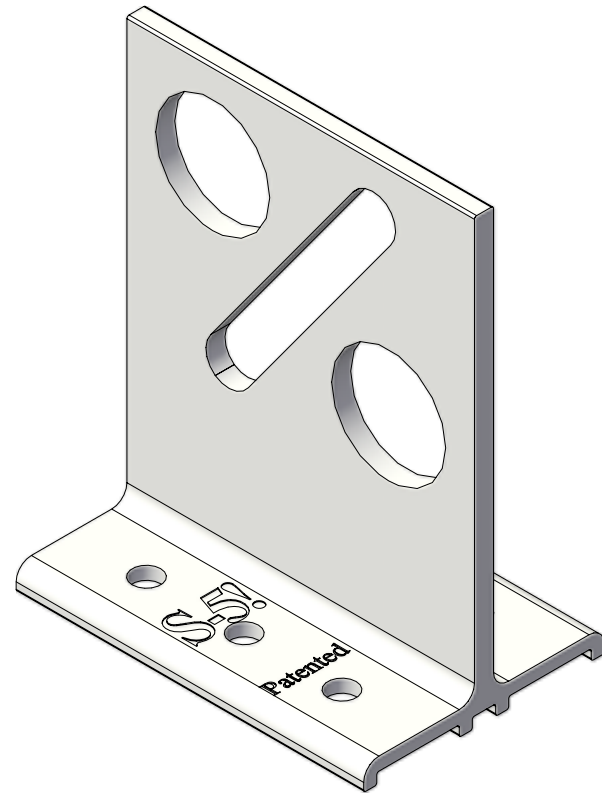


RIGHT REAR ISONOMETRIC



MATERIAL:	6000 SERIES
EST ASSEMBLY WEIGHT :	
SUPPLIED HARDWARE:	
SCALE:	1:1.5
OTHER:	

METAL ROOF INNOVATIONS, LTD.
8655 TABLE BUTTE RD
COLORADO SPRINGS, CO 80908
719-495-0518
719-495-0045 (FAX)

TITLE: VersaGard		
DRAWING NO. VG02-A-3-A [CCD]	DRAWN BY DMMH	DATE 09/16/2014
S-5!® PRODUCTS ARE PROTECTED BY MULTIPLE U.S. PATENTS INCLUDING 5,228,248, 5,983,588 AND 6,164,033 (OTHERS ISSUED AND PENDING). EUROPEAN PATENTS ARE ALSO APPLIED FOR AND PENDING UNDER THE PATENT COOPERATION TREATY WITH DIVISIONAL FILING RIGHTS RETAINED. METAL ROOF INNOVATIONS, LTD. (LICENSOR OF S-5!® TECHNOLOGY) AGGRESSIVELY PROSECUTES PATENT INFRINGEMENT.		