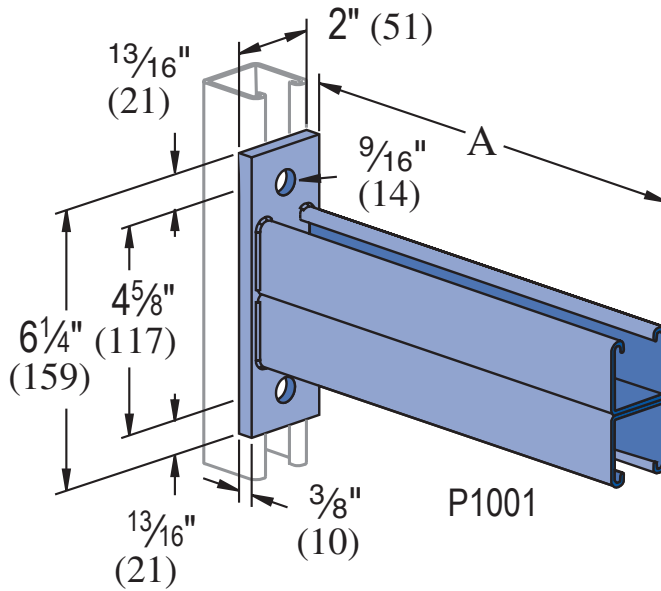




P2542 THRU P2546



Part Number	"A" In (mm)	Wt/100 pcs Lbs (kg)	Vertical Channel		Uniform Design Load Lbs (kN)
			Part No.	Gauge	
P2542	12	502	P1000	12	2,000 (8.90)
	305	228	P1100	14	1,400 (6.23)
			P2000	16	1,000 (4.45)
P2543	18	692	P1000	12	1,300 (5.78)
	457	314	P1100	14	900 (4.00)
			P2000	16	650 (2.89)
P2544	24	882	P1000	12	1,000 (4.45)
	610	400	P1100	14	700 (3.11)
			P2000	16	500 (2.22)
P2545	30	1,072	P1000	12	800 (3.56)
	762	486	P1100	14	560 (2.49)
			P2000	16	400 (1.78)
P2546	36	1,262	P1000	12	650 (2.89)
	914	572	P1100	14	450 (2.00)
			P2000	16	320 (1.42)

Safety Factor - 2 1/2

Standard Dimensions for 1 5/8" (41mm) width series channel fittings (Unless Otherwise Shown on Drawing)

Hole Diameter: 9/16" (14mm); Hole Spacing - From End: 13/16" (21mm); Hole Spacing - On Center: 1 1/8" (48mm); Width: 1 5/8" (41mm); Thickness: 1/4" (6mm)

Note : When used for mechanical supports, load capacities of brackets and fittings should be in compliance with the American Standard Code for Pressure Piping.

MATERIAL

Fittings, unless noted, are made from hot-rolled, pickled and oiled steel plates, strip or coil, and conform to ASTM specifications A575, A576, A635, or A36. The fitting steel also meets the physical requirements of ASTM A1011 SS GR 33. The pickling of the steel produces a smooth surface free from scale.

Many fittings are also available in stainless steel, aluminum and fiberglass. Consult factory for ordering information.

FINISHES

Fittings are available in:

Perma-Green III (GR),

Electro-galvanized (EG), conforming to ASTM B633 Type III SC1;

Hot-dipped galvanized (HG), conforming to ASTM A123 or A153 and

Plain (PL).

Project: _____

Approval Stamp:

Architect / Engineer: _____

Date: _____ Phone: _____

Contractor: _____

Address: _____

Notes 1: _____

Notes 2: _____