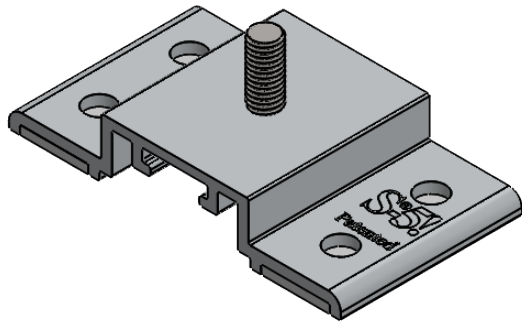
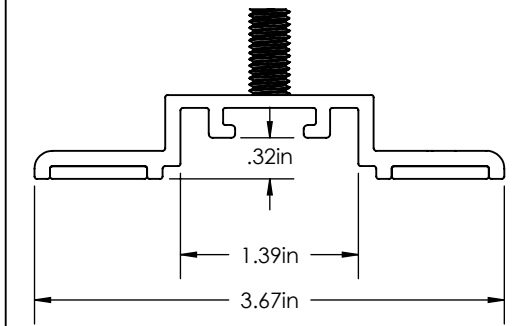
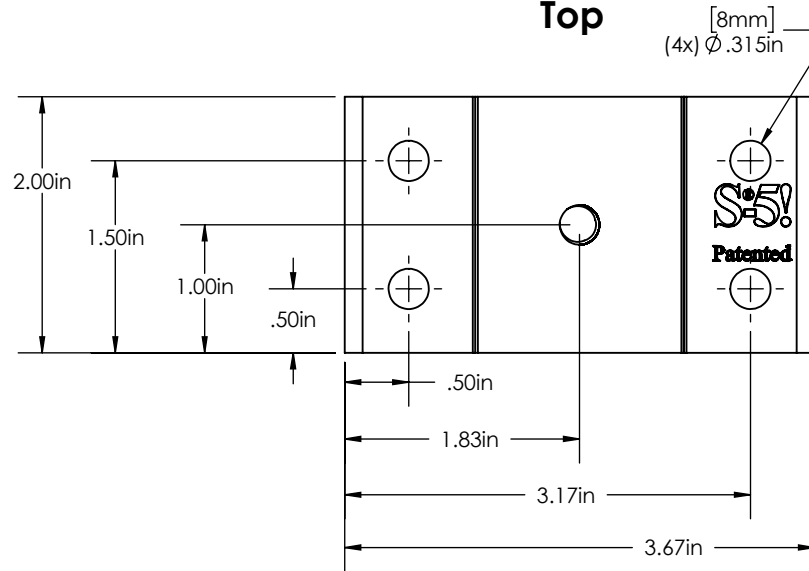


SolarFoot

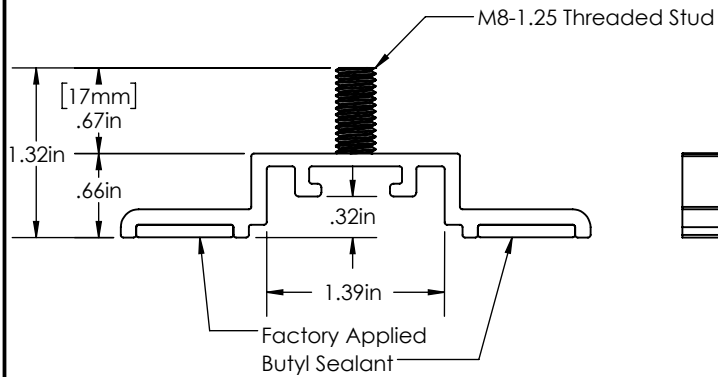


Top

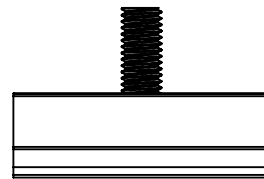


Scale 2:3

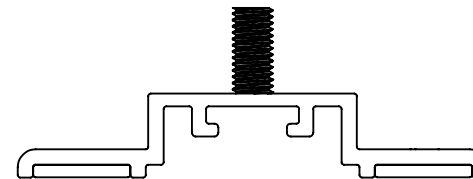
Back



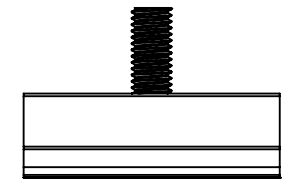
Left



Front

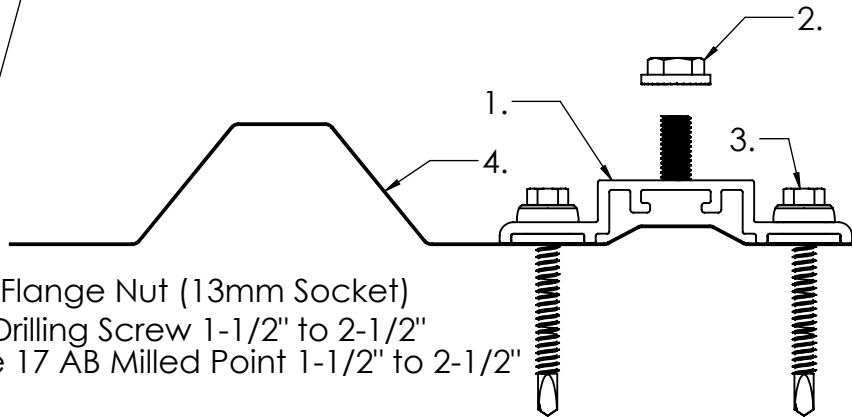


Right




General Notes:

1. SolarFoot
2. M8-1.25 Stainless Steel Hex Flange Nut (13mm Socket)
3. Metal to Metal: 1/4-14 Self Drilling Screw 1-1/2" to 2-1/2"
Metal to Wood: 1/4-14 Type 17 AB Milled Point 1-1/2" to 2-1/2"
4. Example roof



FOR STANDING SEAM SPECIFIC MECHANICAL LOAD TEST INFORMATION AND CLAMP INSTALLATION INFORMATION PLEASE VISIT: WWW.S-5.COM

MATERIAL: 6005A T61 Al		 The Right Way!		METAL ROOF INNOVATIONS, LTD. 8655 TABLE BUTTE RD COLORADO SPRINGS, CO 80908 719-495-0518 719-495-0045(FAX)	
EST ASSEMBLY WEIGHT: 0.248 lbs				TITLE SolarFoot [CCD]	
SUPPLIED HARDWARE: M8-1.25 Hex Flange Nut		DRAWING NO. LP66-A-0-A		DRAWN BY Paul Leitch	
SCALE: 2:3		DATE 09/20/2017			
EST. WEIGHT: Bracket: 0.129 lbs Fastener: 0.026 lbs Nut: 0.015 lbs		S-5! PRODUCTS ARE PROTECTED BY MULTIPLE U.S. AND FOREIGN PATENTS. VISIT OUR WEBSITE AT WWW.S-5.COM FOR COMPLETE INFORMATION ON PATENTS AND TRADEMARKS.			