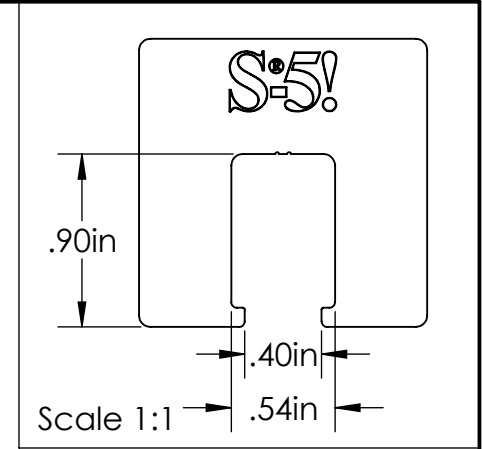
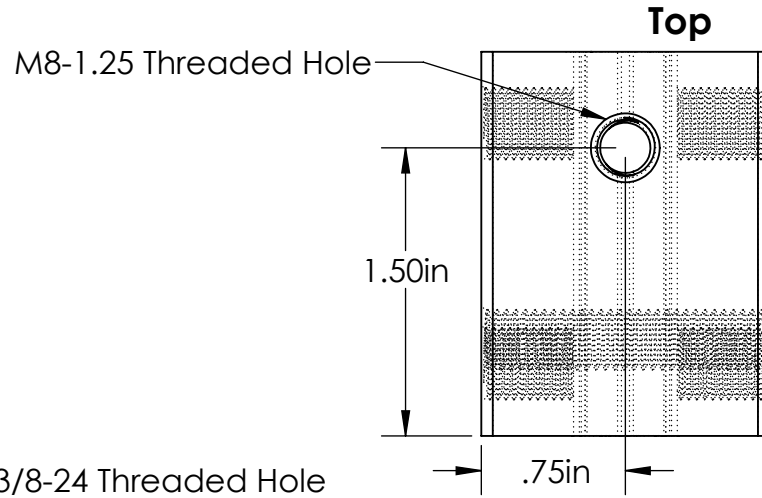
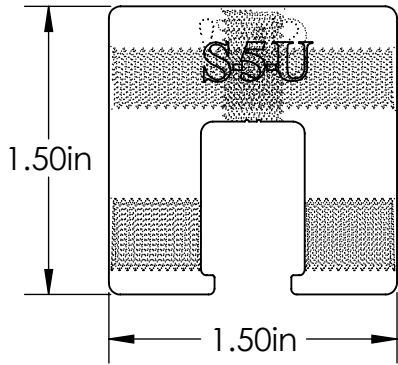


S-5-U

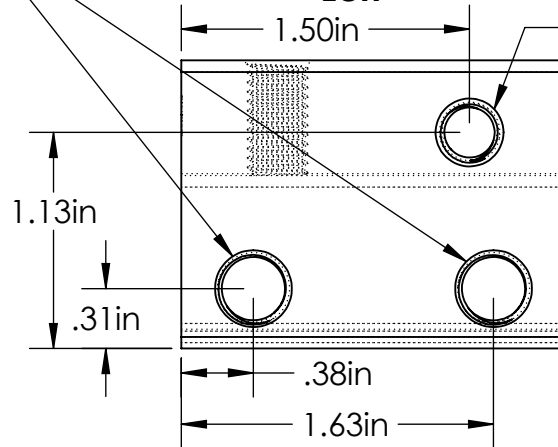


Back

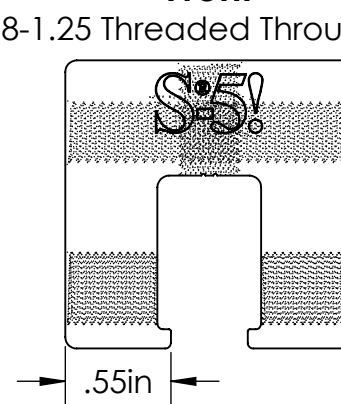


(2x) 3/8-24 Threaded Hole

Left

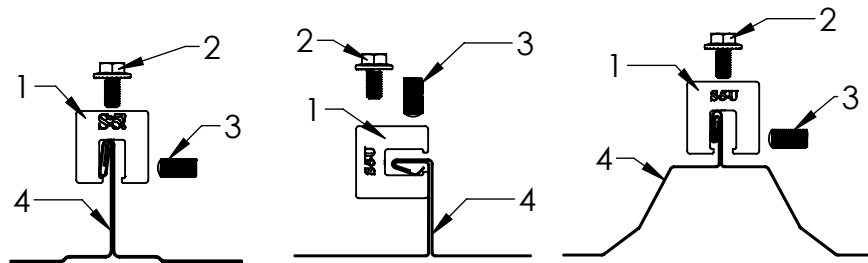
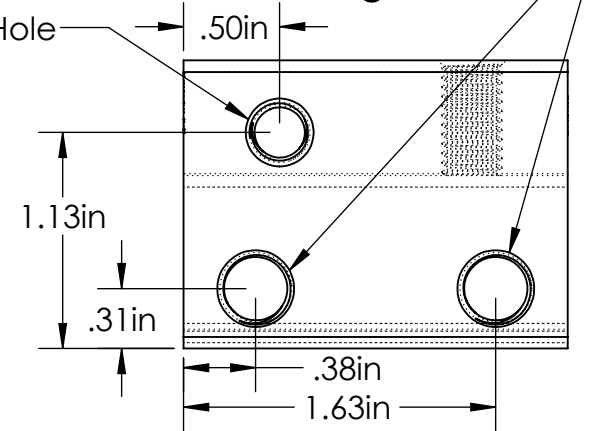


Front



(2x) 3/8-24 Threaded Hole


Right



General Notes:

1. S-5-U Clamp
2. M8-1.25 SS Hex Flange Bolt (13mm Socket)
3. 3/8-24 SS Round Point Setscrew (3/16 Hex Drive)
4. Example roof

FOR STANDING SEAM SPECIFIC MECHANICAL LOAD TEST INFORMATION AND CLAMP INSTALLATION INFORMATION PLEASE VISIT: WWW.S-5.COM

MATERIAL: 6061 T6 Al				METAL ROOF INNOVATIONS, LTD. 8655 TABLE BUTTE RD COLORADO SPRINGS, CO 80908 719-495-0518 719-495-0045(FAX)	
EST ASSEMBLY WEIGHT: 0.373 lbs				TITLE S-5-U	
SUPPLIED HARDWARE: M8-1.25 x 16 mm HEX Bolt (2x) 3/8-24 x .800" Setscrews		SCALE: 1:1		DRAWING NO. U11-B-16-D	
EST. WEIGHT: Clamp: 0.304 lbs Setscrew: 0.0170 lbs Bolt: 0.0345 lbs		DRAWN BY Kati Kadakas		DATE 4/11/2016	
S-5!® PRODUCTS ARE PROTECTED BY MULTIPLE U.S. AND FOREIGN PATENTS. VISIT OUR WEBSITE AT WWW.S-5.COM FOR COMPLETE INFORMATION ON PATENTS AND TRADEMARKS.					