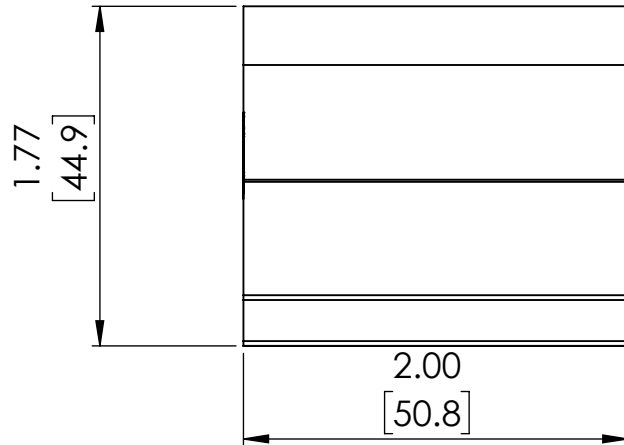
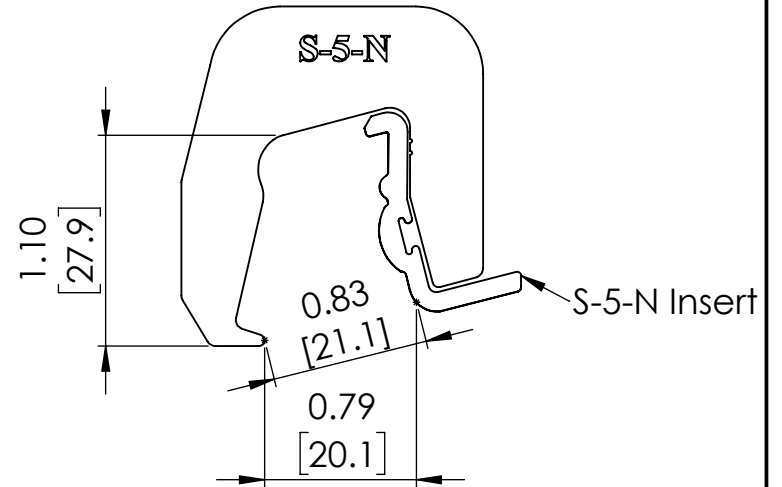
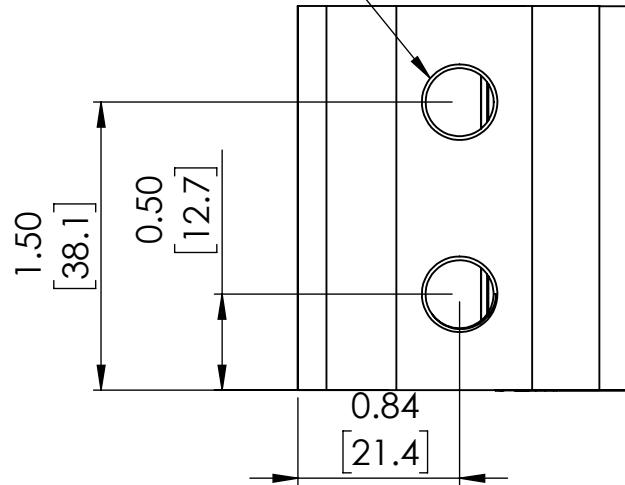
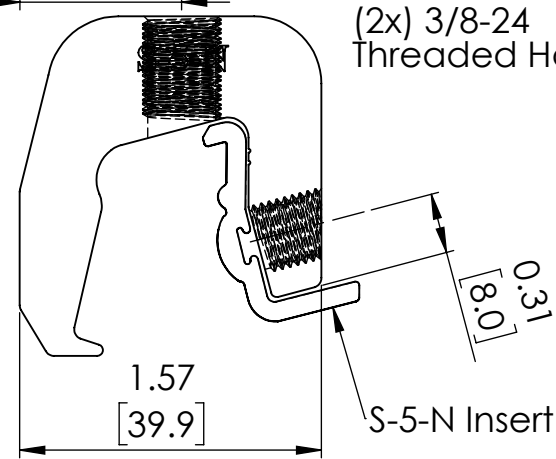


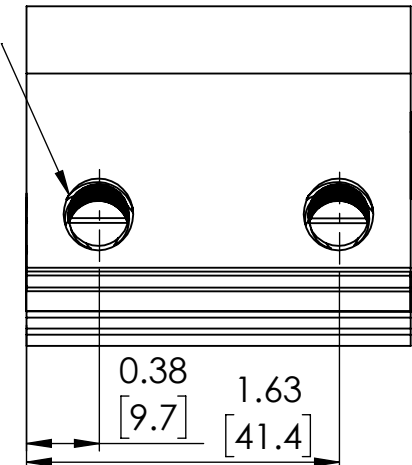
(2x) M8-1.25 Threaded Hole



Units are Inches with mm in brackets



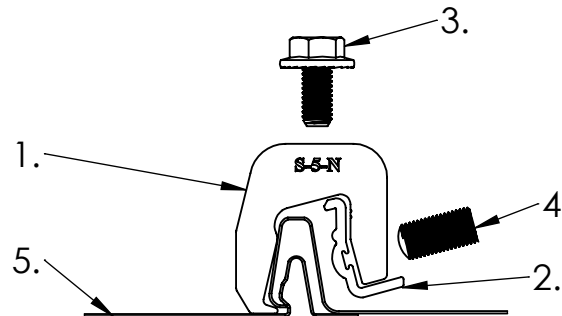
(2x) 3/8-24 Threaded Hole




**FOR STANDING SEAM SPECIFIC MECHANICAL LOAD TEST INFORMATION AND CLAMP INSTALLATION INFORMATION PLEASE VISIT: WWW.S-5.COM**

**General Notes:**

1. S-5-N Clamp
2. S-5-N Insert
3. M8-1.25 SS Hex Flange Bolt (13mm Socket)
4. 3/8-24 SS Round Point Setscrew (3/16 Hex Drive)
5. Example Roof



MATERIAL: 6061 T6			METAL ROOF INNOVATIONS, LTD. 8750 WALKER RD COLORADO SPRINGS, CO 80908 719-495-0518 719-495-0045(FAX)	
EST ASSEMBLY WEIGHT .4065 lbs			TITLE S-5-N CCD	
SUPPLIED HARDWARE: M8-1.25 x 16 mm Bolt (2) 3/8-24 x .800" Setscrews				
SCALE: 1:1	DRAWING NO. NG73-A-0-A	DRAWN BY JW	DATE 12/18/2018	
WEIGHTS: Clamp: .3028 lbs. Insert: .0352 lbs Setscrew: 0.0170 lbs Bolt: 0.0345 lbs	<small>S-5!® PRODUCTS ARE PROTECTED BY MULTIPLE U.S. PATENTS INCLUDING 5,228,248, 5,983,588 AND 6,164,033 (OTHERS ISSUED AND PENDING). EUROPEAN PATENTS ARE ALSO APPLIED FOR AND PENDING UNDER THE PATENT COOPERATION TREATY WITH DIVISIONAL FILING RIGHTS RETAINED. METAL ROOF INNOVATIONS, LTD. (LICENSOR OF S-5!® TECHNOLOGY) AGGRESSIVELY PROSECUTES PATENT INFRINGEMENT.</small>			