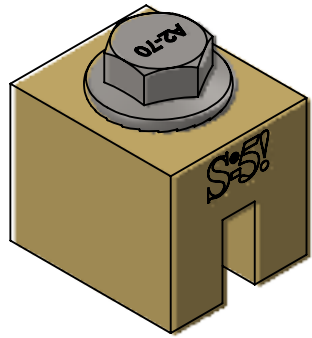
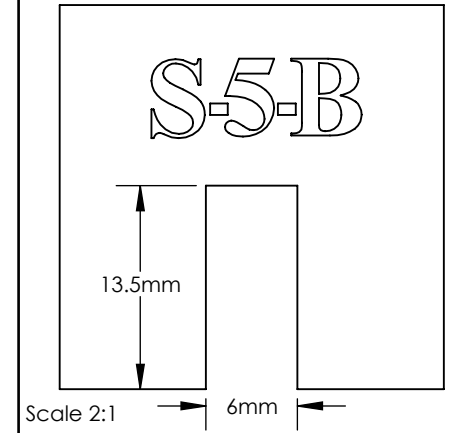
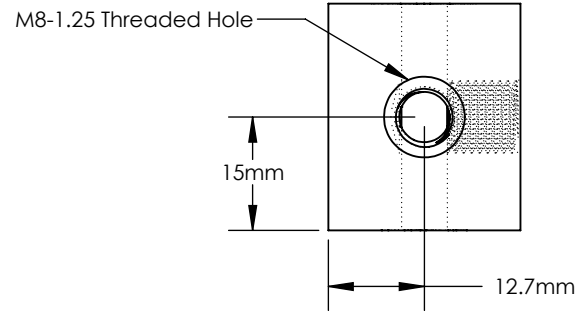


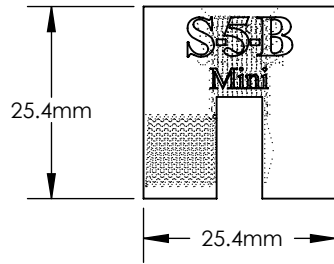
# S-5-B Mini



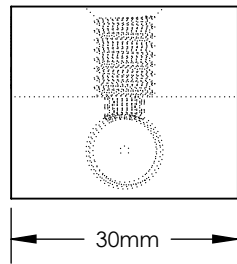
Top



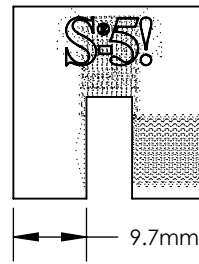
Back



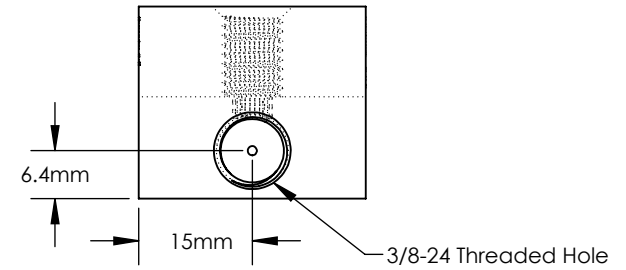
Left



Front

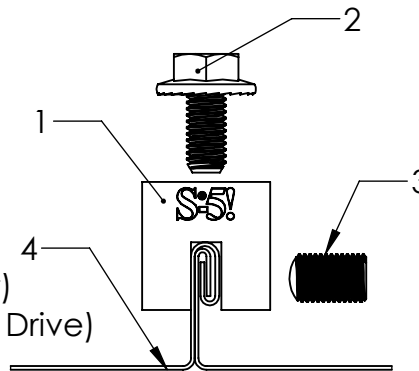


Right



General Notes:

1. S-5-B Mini Clamp
2. M8-1.25 Stainless Steel Hex Flange Bolt (13mm Socket)
3. 3/8-24 Stainless Steel Round Point Setscrew (3/16 Hex Drive)
4. Example roof



**FOR STANDING SEAM SPECIFIC MECHANICAL LOAD TEST INFORMATION AND CLAMP INSTALLATION INFORMATION PLEASE VISIT: [WWW.S-5.COM](http://WWW.S-5.COM)**

|   |  |                          |                   |
|---|--|--------------------------|-------------------|
| MATERIAL:<br>BRASS  |  METAL ROOF INNOVATIONS, LTD.<br>8655 TABLE BUTTE RD<br>COLORADO SPRINGS, CO 80908<br>719-495-0518<br>719-495-0045(FAX) |                          |                   |
| EST ASSEMBLY WEIGHT:<br>154.00 g                                      |  |                          |                   |
| SUPPLIED HARDWARE:<br>M8-1.25 x 16 mm Bolt<br>3/8-24 x .500" Setscrew | TITLE<br>S-5-B Mini  |                          |                   |
| SCALE:<br>1:1   | DRAWING NO.<br>B02-A-3-C   | DRAWN BY<br>Kati Kadakas | DATE<br>4/11/2016 |
| EST. WEIGHT:<br>Clamp: 133.81 g<br>Setscrew: 4.54 g<br>Bolt: 15.65 g  | S-5!® PRODUCTS ARE PROTECTED BY MULTIPLE U.S. AND FOREIGN PATENTS.<br>VISIT OUR WEBSITE AT <a href="http://WWW.S-5.COM">WWW.S-5.COM</a> FOR COMPLETE INFORMATION ON PATENTS AND TRADEMARKS.                  |                          |                   |