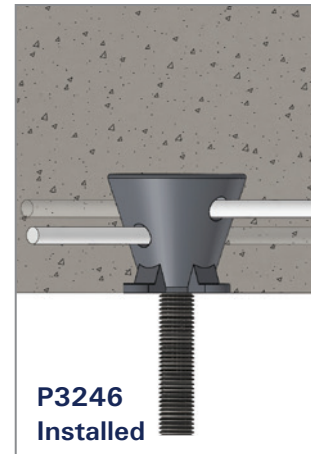
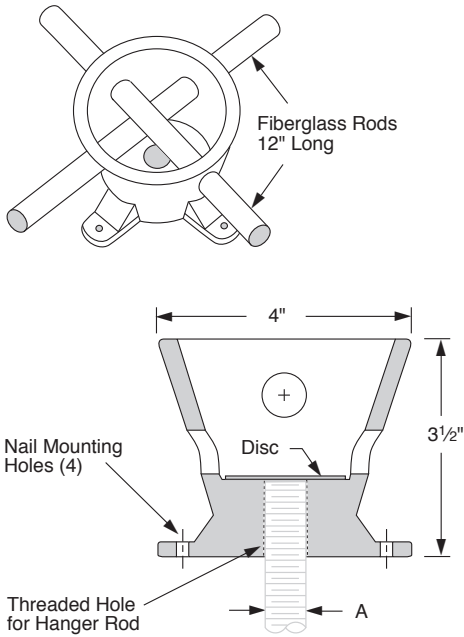




P3246

CROSS INSERT



Size Range:

3/4" through 1 1/2"

Approvals:

Complies with Federal Specification A-A-1192A (Type 18), WW-H-171-E (Type 18), ANSI/MSS SP-69 and MSS SP-58 (Type 18).

Installation:

1. Nail insert to wooden forms.
2. Locate fiberglass bars to rest upon existing reinforcing rods or wire the insert directly into existing reinforced rods to achieve the specified load ratings.

Features:

- Stainless steel body prevents corrosion.
- Cone shaped body.
- Exceptional pullout strength.
- Eliminates uncertainty of tying conventional inserts into bridge deck rebar.

Part Number	Thread Hole Size "A"	MAXIMUM ALLOWABLE LOAD Lbs (Kn)		
		Vertical	Shear	45° Pull
P3246-75 ST	3/4" - 10	3,230 ^a 14.4	1,930 8.6	2,740 12.2
P3246-87 ST	7/8" - 9	4,480 ^a 19.9	2,680 11.9	3,800 16.8
P3246-1 ST	1" - 8	5,700 25.4	3,540 15.7	5,000 22.2
P3246-125 ST	1-1/4" - 7	5,700 25.4	5,700 25.4	6,000 26.7
P3246-150 ST	1-1/2" - 6	5,700 25.4	8,280 36.8	6,000 26.7

Safety factor of 5 in 3,000 psi concrete

a Limited by Threaded Rod Safe Load in accordance with MSS-SP-58

b Limited by MSS-SP-58 Tension Safe Load multiplied by 0.6

Note

When used for mechanical supports, load capacities of brackets and fittings should be in compliance with the American Standard Code for Pressure Piping.

Project: _____

Approval Stamp:

Architect / Engineer: _____

Date: _____ **Phone:** _____

Contractor: _____

Address: _____

Notes 1: _____

Notes 2: _____