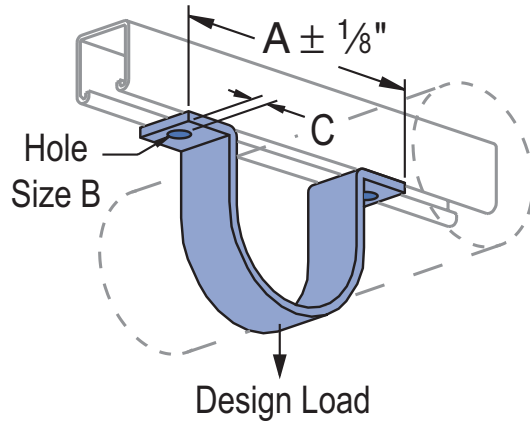




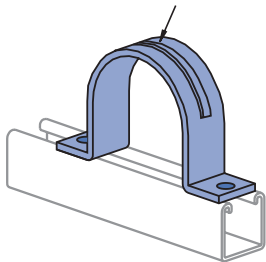
P2558-5 THRU P2558-60

SINGLE PIECE PIPE STRAP



Hardware sold separately.

Supporting Rib on P2558-60



Part No.	Nom. Pipe Size In	A In (mm)	"B" In (mm)	C In (mm)	Thickness In (mm)	Wt/100 pcs Lbs (kg)	Design Load Lbs (kN)
P2558-05	1/2	2 7/8 73				23 10.4	
P2558-07	3/4	3 1/8 79				26 11.8	
P2558-10	1	3 3/8 86	9/32 7.1	7/16 11.1	1/8 3.2	31 14.1	500 2.22
P2558-12	1 1/4	3 3/4 95				35 15.9	
P2558-15	1 1/2	3 7/8 98				39 17.7	
P2558-20	2	5 3/4 146				94 42.6	
P2558-25	2 1/2	6 1/4 159				114 51.7	
P2558-30	3	6 7/8 175				133 60.3	
P2558-35	3 1/2	7 7/8 187	7/16 11.1	1 1/16 17.5	1/4 6.4	152 68.9	1,000 4.45
P2558-40	4	7 7/8 200				176 79.8	
P2558-50	5	9 229				198 89.8	
P2558-60	6	10 254				225 102.1	

### MATERIAL

Unistrut pipe clamps, unless noted, are punch-press made from hot-rolled, pickled and oiled steel plates, strip or coil, and conform to ASTM specifications A1008, A575, A576, A635, or A36. The fitting steel also meets the physical requirements of ASTM A1011 SS GR 33. The pickling of the steel produces a smooth surface free from scale.

Many items are also available in stainless steel.

Consult factory for ordering information.

### FINISHES

Pipe supports are available in:

- Electro-galvanized (EG), conforming to ASTM B633 Type III SC1
- Hot-dipped galvanized (HG), conforming to ASTM A123 or A153 (hardware)
- Perma-Green III (GR), and plain (PL).

<b>Project:</b> _____ <b>Architect / Engineer:</b> _____ <b>Date:</b> _____ <b>Phone:</b> _____ <b>Contractor:</b> _____ <b>Address:</b> _____ _____ <b>Notes 1:</b> _____ _____ <b>Notes 2:</b> _____ _____	<b>Approval Stamp:</b>    
-----------------------------------------------------------------------------------------------------------------------------------------------------------------------------------------------------------------------------------------	----------------------------------------