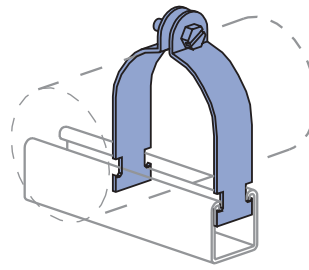
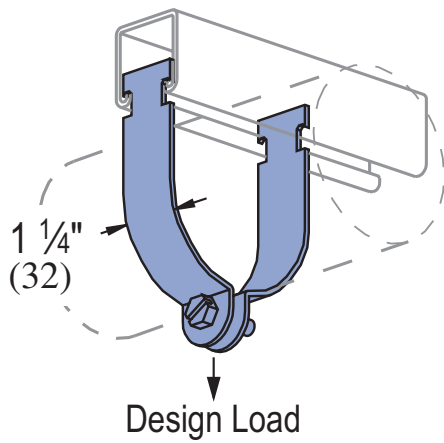




P1425 THRU P1431

PIPE CLAMPS FOR THIN WALL CONDUIT (E.M.T.)



Slotted hex head screw and nut included with EG or HG Finish.

Part No.	Conduit Size In (mm)	O.D. Size In (mm)	Thickness Gauge (mm)	Wt/100 pcs Lbs (kg)	Design Load Lbs (kN)
P1425	3/8	0.577	16	9	400
	10	14.7	1.5	4.1	1.78
P1426	1/2	0.706	16	11	400
	13	17.9	1.5	5.0	1.78
P1427	3/4	0.922	16	12	400
	19	23.4	1.5	5.4	1.78
P1428	1	1.163	14	15	600
	25	29.5	1.9	6.8	2.67
P1429	1 1/4	1.510	14	18	600
	32	38.4	1.9	8.2	2.67
P1430	1 1/2	1.740	12	29	800
	38	44.2	2.7	13.2	3.56
P1431	2	2.197	12	33	800
	51	55.8	2.7	15.0	3.56
P1118	2 1/2	2.875	12	40	800
	64	73.0	2.7	18.1	3.56
P1119	3	3.500	12	47	800
	76	88.9	2.7	21.3	3.56
P1120	3 1/2	4.000	11	62	1,000
	89	101.6	3.0	28.1	4.45
P1121	4	4.500	11	67	1,000
	102	114.3	3.0	30.4	4.45

MATERIAL

Unistrut pipe clamps, unless noted, are punch-press made from hot-rolled, pickled and oiled steel plates, strip or coil, and conform to ASTM specifications A1008, A575, A576, A635, or A36. The fitting steel also meets the physical requirements of ASTM A1011 SS GR 33. The pickling of the steel produces a smooth surface free from scale.

Many items are also available in stainless steel.

Consult factory for ordering information.

FINISHES

Pipe supports are available in:

- Electro-galvanized (EG), conforming to ASTM B633 Type III SC1
- Hot-dipped galvanized (HG), conforming to ASTM A123 or A153 (hardware)
- Perma-Green III (GR), and plain (PL).

Project: _____

Architect / Engineer: _____

Date: _____ Phone: _____

Contractor: _____

Address: _____

Notes 1: _____

Notes 2: _____

Approval Stamp: _____