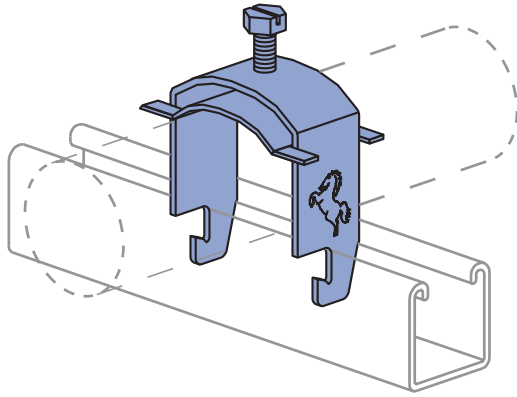


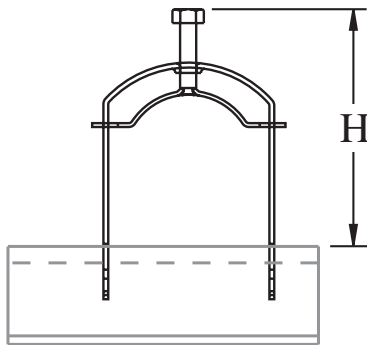


MU025 THRU MU400

MUSTANG UNIVERSAL ONE-PIECE PIPE, CONDUIT (GRC, EMT & IMC) AND TUBING CLAMPS



Finish: Electro-galvanized.
Clamps are 14 ga.



| Part No. | Nominal Trade Size In (mm) | OD | | Height Above Channel "H" | |
|----------|-------------------------------|----------------|----------------|--------------------------|-----------------|
| | | Min In (mm) | Max In (mm) | Min In (mm) | Max. In (mm) |
| MU025 | 1/4 6 | 0.375 10 | 0.540 14 | 1 3/4 44 | 2 51 |
| MU037 | 3/8 10 | 0.500 13 | 0.675 17 | 1 7/8 48 | 2 1/8 54 |
| MU050 | 1/2 13 | 0.625 16 | 0.840 21 | 2 51 | 2 1/4 57 |
| MU075 | 3/4 19 | 0.875 22 | 1.050 27 | 2 1/4 57 | 2 1/2 64 |
| MU100 | 1 25 | 1.125 29 | 1.315 33 | 2 1/2 64 | 2 3/4 70 |
| MU125 | 1 1/4 32 | 1.375 35 | 1.660 42 | 2 3/4 70 | 3 1/8 79 |
| MU150 | 1 1/2 38 | 1.625 41 | 1.900 48 | 3 76 | 3 3/8 86 |
| MU200 | 2 51 | 2.125 54 | 2.375 60 | 3 1/2 89 | 3 3/8 98 |
| MU250 | 2 1/2 64 | 2.625 67 | 2.875 73 | 4 1/4 108 | 4 5/8 117 |
| MU300 | 3 76 | 3.125 79 | 3.500 89 | 4 3/4 124 | 5 3/8 137 |
| MU350 | 3 1/2 89 | 3.625 92 | 4.000 102 | 5 3/8 137 | 5 7/8 149 |
| MU400 | 4 102 | 4.125 105 | 4.500 114 | 5 7/8 149 | 6 3/8 162 |

MATERIAL

Unistrut pipe clamps, unless noted, are punch-press made from hot-rolled, pickled and oiled steel plates, strip or coil, and conform to ASTM specifications A1008, A575, A576, A635, or A36. The fitting steel also meets the physical requirements of ASTM A1011 SS GR 33. The pickling of the steel produces a smooth surface free from scale.

Many items are also available in stainless steel.

Consult factory for ordering information.

FINISHES

Pipe supports are available in:

- Electro-galvanized (EG), conforming to ASTM B633 Type III SC1
- Hot-dipped galvanized (HG), conforming to ASTM A123 or A153 (hardware)
- Perma-Green III (GR), and plain (PL).

Project: _____

Architect / Engineer: _____

Date: _____ Phone: _____

Contractor: _____

Address: _____

Notes 1: _____

Notes 2: _____

Approval Stamp: _____