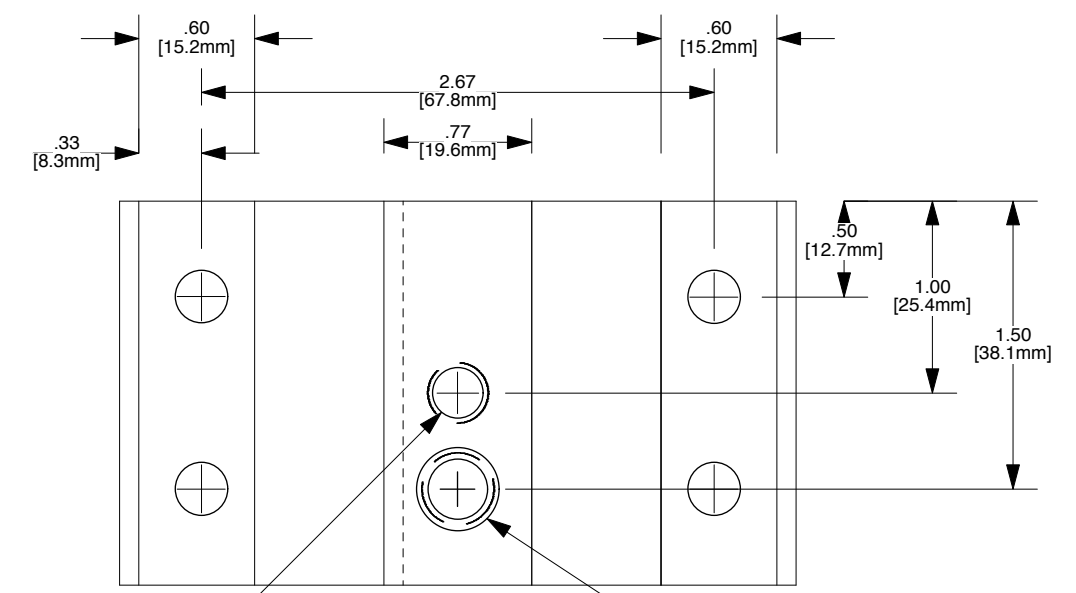


**BOTTOM**

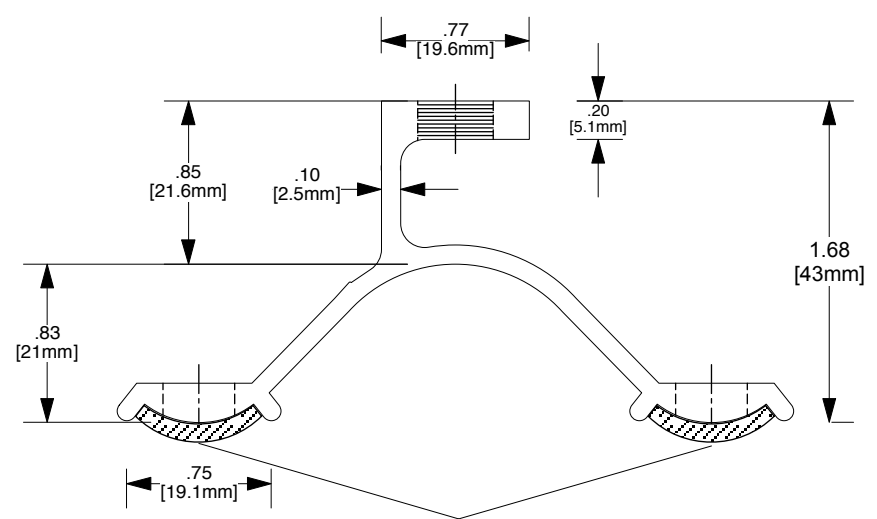
Ø .28 4X  
[Ø 7mm]



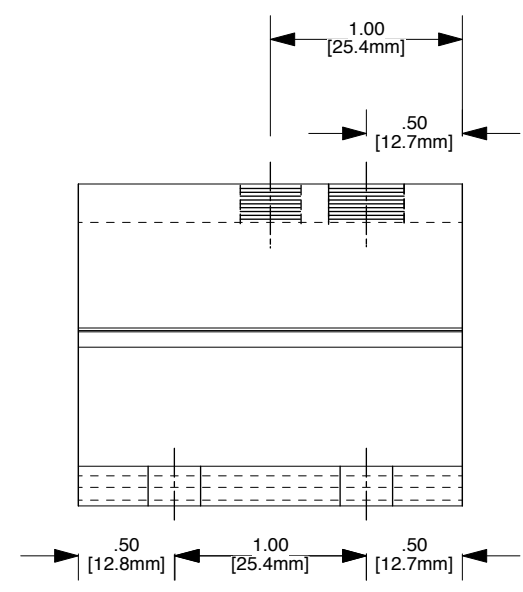
**TOP**

M8x1.25 THREADED HOLE

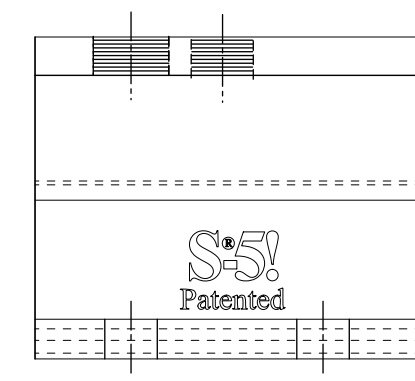
M10x1.5 THREADED HOLE



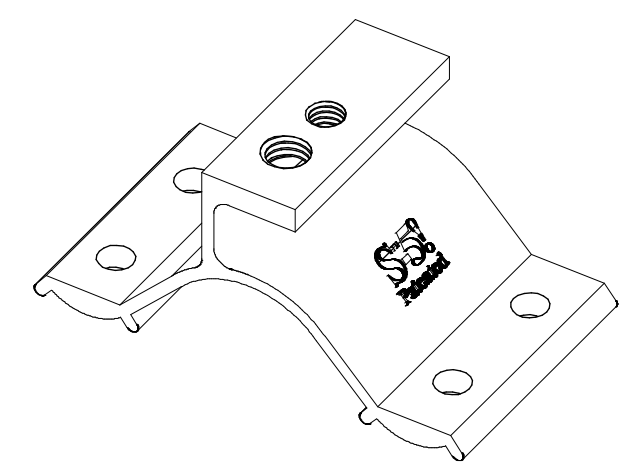
FACTORY APPLIED  
BUTYL SEALANT  
DIM: 3/4" X 1/8"



**LEFT**



**RIGHT**



S-5!™ PRODUCTS ARE PROTECTED BY MULTIPLE U.S. AND EUROPEAN PATENTS. METAL ROOF INNOVATIONS, LTD. (LICENSOR OF S-5!™ TECHNOLOGY) AGGRESSIVELY PROSECUTES PATENT INFRINGEMENT.

FINISH: Mill, Tumble Deburr
CUT LENGTH: 2"
ALLOY: 6061 T6
EST. AREA:
EST. WT/FT:

**S-5!** Unprecedented Innovation  
Unmatched Quality  
Unbelievable Price

S-5! ATTACHMENT SOLUTIONS  
METAL ROOF INNOVATIONS, LTD.  
8655 TABLE BUTTE ROAD  
COLORADO SPRINGS, CO 80908  
(888) 825-3432  
(719) 495-0045 (FAX)

TITLE <b>S-5! CorruBracket™</b>		
DRAWING NO. <b>CB-30-A-0-G</b>	DRAWN BY <b>DMMH</b>	DATE <b>3.13.10</b>
SCALE <b>NTS</b>	FILE NAME <b>CB-30-A-0-G</b>	