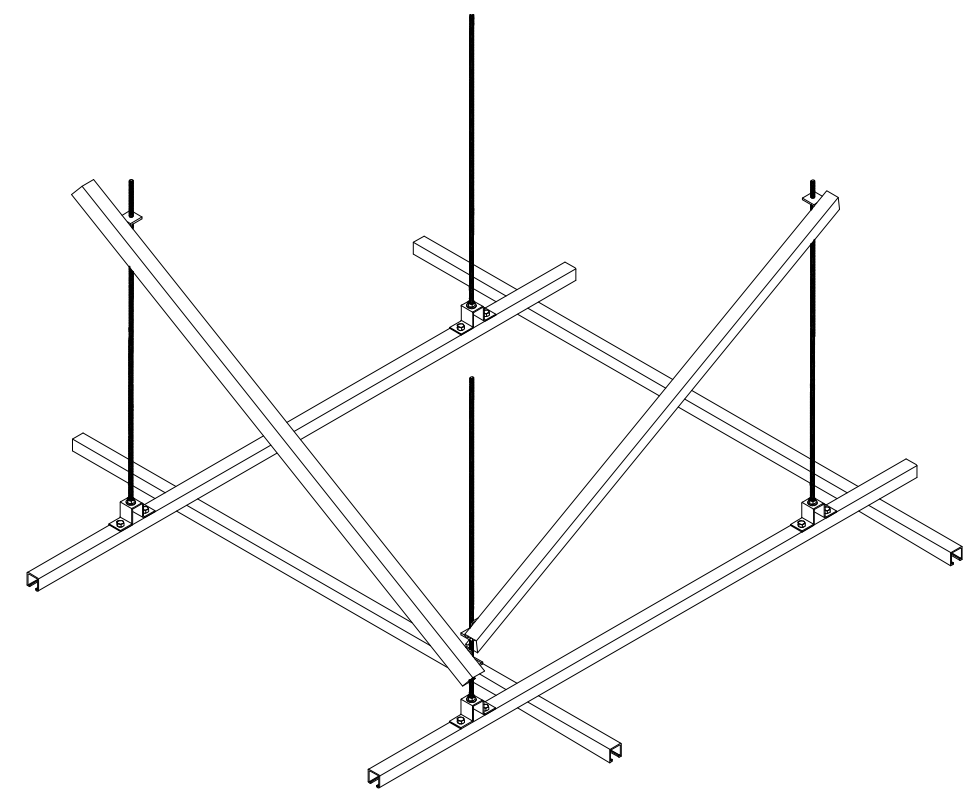


VIEW 1
SCALE: 1 1/2"=1'-0"



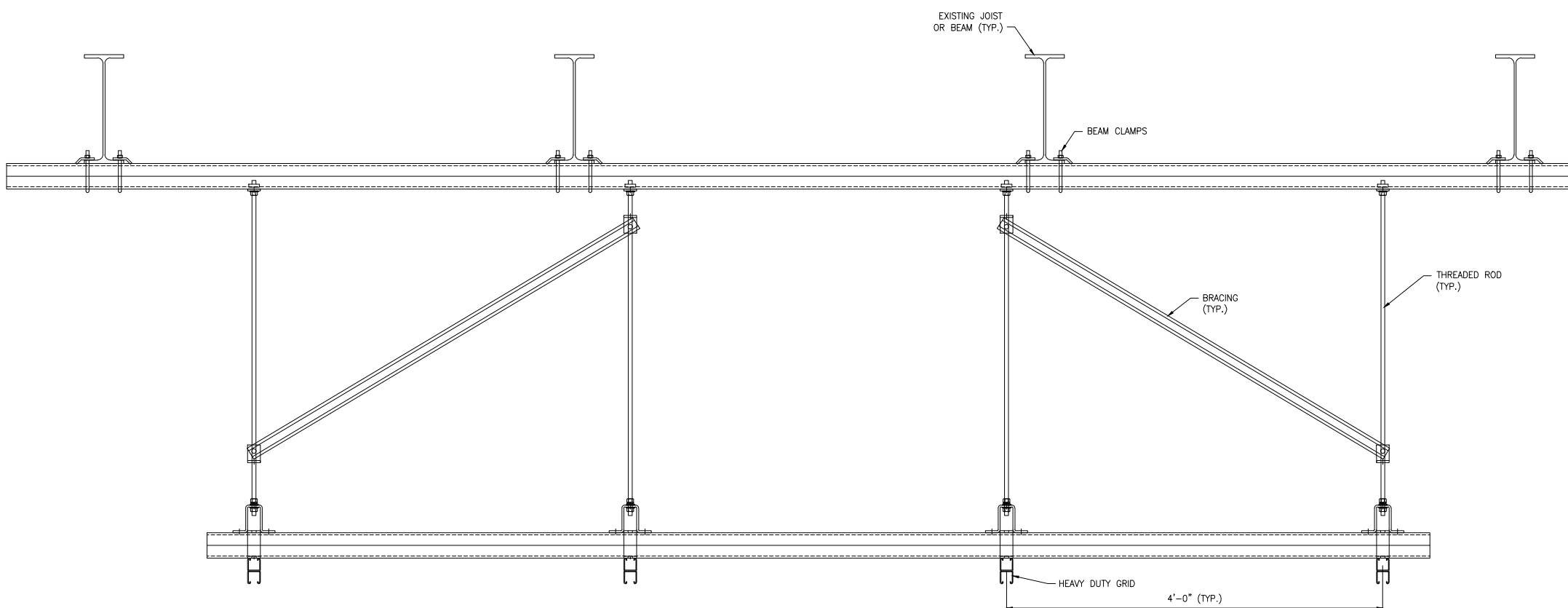
NOE: ISOMETRIC VIEW IS FOR REFERENCE ONLY, AND MAY NOT MATCH THE THE PART NUMBER SHOWN

PART# UGR-B-2P-44-HD
ATTACH TO METAL DECK, LAPPED, 4X4, HEAVY DUTY

COMMON FINISHES ARE PRE-GALVANIZED (PG) AND PERMA GREEN. OTHER MATERIAL AND FINISHES ARE AVAILABLE, CONTACT UNISTRUT SERVICE COMPANY FOR MORE INFORMATION

THE STANDARD DETAIL IS FOR REFERENCE ONLY, AND IS *NOT* CONSIDERED TO BE AN ENGINEERED SYSTEM UNLESS PURCHASED THROUGH UNISTRUT SERVICE COMPANY 24400 SPERRY DR. WESTLAKE, OHIO 44145. STANDARD DETAILS ARE FOR DESIGN INTENT ONLY. ACTUAL CONDITIONS, INCLUDING BUT NOT LIMITED TO LOADING, ELEVATIONS, OVERALL SIZE, SPACING BUILDING STRUCTURE, FIELD CONDITIONS, MEP INTERFERENCES, ETC CAN AND WILL VARY. CONTACT UNISTRUT SERVICE COMPANY AT 440-348-9450, OR WWW.UNISTRUTOHIO.COM FOR A SITE SPECIFIC QUOTE.

NOT FOR CONSTRUCTION



VIEW 2
SCALE: 1 1/2"=1'-0"

REV. NO.	DATE	REV. DESCRIPTION
0		

DRAWN BY:	DATE:
AMK	3/10/17
CHECKED BY:	DATE:
M.J.F.	3/15/17
OTHER:	DATE:

DRAWING TITLE:	
UGR-B-2P-44-HD	
PROJECT NO.	DWG NO.
7002	-S .
SCALE: AS NOTED	REV 0

Unistrut Service Company
24400 Sperry Drive
Cleveland, OH 44145
Phone: 440-348-9450
1-800-621-2508
Fax: 440-348-9455
E-Mail: info@UnistrutOhio.com

CLIENT:

PROJECT DESCRIPTION:
GRID SYSTEMS