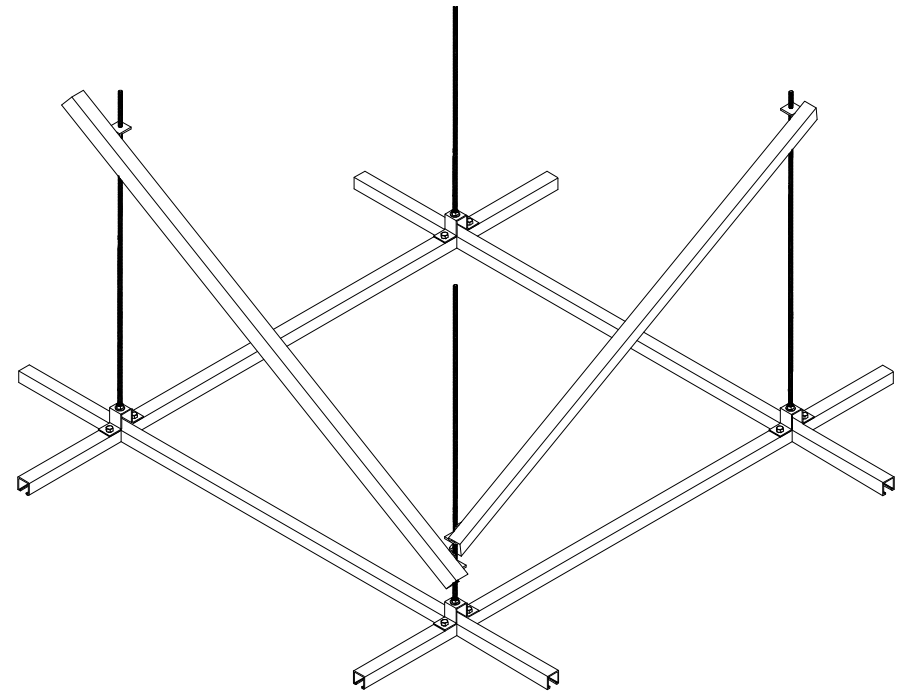


**VIEW 1**  
SCALE: 1 1/2"=1'-0"



**TYPICAL GRID-PARTIAL ISOMETRIC**  
NOT TO SCALE

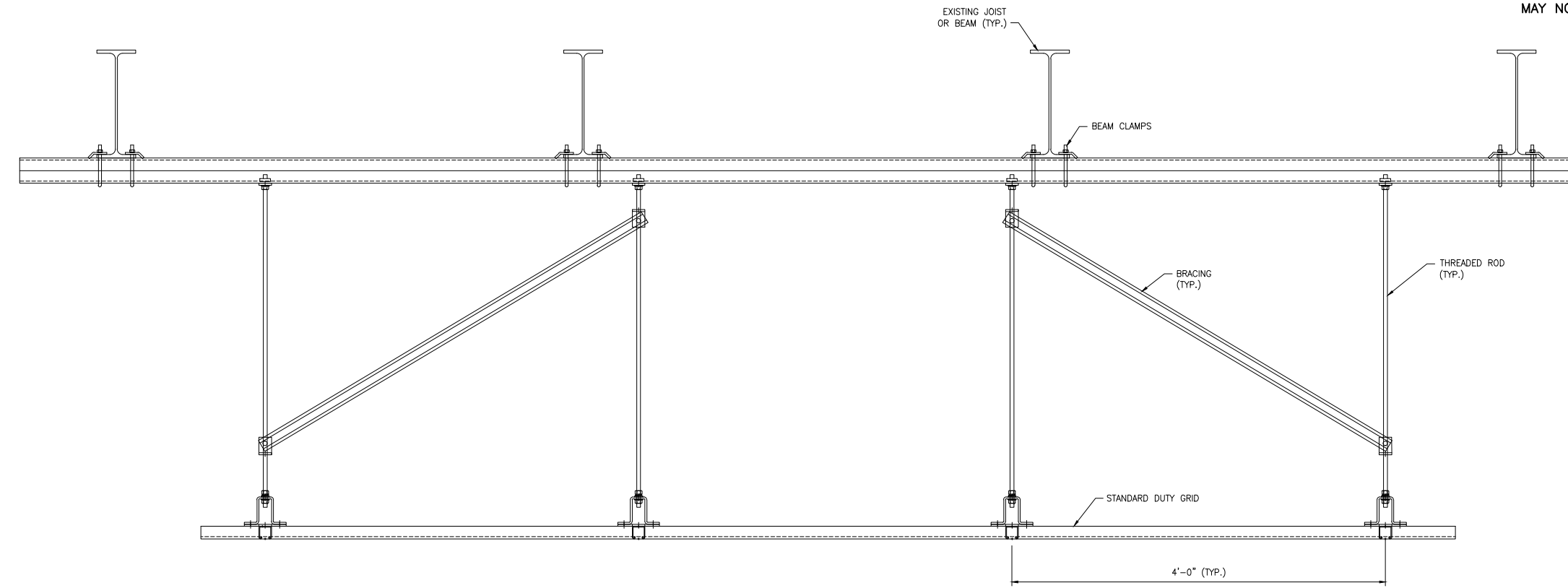
NOE: ISOMETRIC VIEW IS FOR REFERENCE ONLY, AND MAY NOT MATCH THE THE PART NUMBER SHOWN

PART# UGR-B-1P-44-SD  
ATTACH TO METAL DECK, SINGLE PLANE,  
4x4, STANDARD DUTY

COMMON FINISHES ARE PRE-GALVANIZED (PG)  
AND PERMA GREEN. OTHER MATERIAL AND FINISHES  
ARE AVAILABLE, CONTACT UNISTRUT SERVICE COMPANY  
FOR MORE INFORMATION

THE STANDARD DETAIL IS FOR REFERENCE ONLY, AND IS NOT CONSIDERED TO BE  
AN ENGINEERED SYSTEM UNLESS PURCHASED THROUGH UNISTRUT SERVICE COMPANY  
24400 SPERRY DR. WESTLAKE, OHIO 44145. STANDARD DETAILS ARE FOR DESIGN  
INTENT ONLY. ACTUAL CONDITIONS, INCLUDING BUT NOT LIMITED TO LOADING,  
ELEVATIONS, OVERALL SIZE, SPACING STRUCTURE, FIELD CONDITIONS, MEP  
INTERFERENCES, ETC CAN AND WILL VARY. CONTACT UNISTRUT SERVICE COMPANY  
AT 440-348-9450, OR WWW.UNISTRUTOHIO.COM FOR A SITE SPECIFIC QUOTE.

**NOT FOR  
CONSTRUCTION**



**VIEW 2**  
SCALE: 1 1/2"=1'-0"

REV. NO.	DATE	REV. DESCRIPTION
0		

DRAWN BY:	DATE:
AMK	3/10/17
CHECKED BY:	DATE:
M.J.F.	3/15/17
OTHER:	DATE:

DRAWING TITLE:	
UGR-B-1P-44-SD	
PROJECT NO.	DWG NO.
7002	-S
SCALE: AS NOTED	REV 0

**Unistrut Service Company**  
24400 Sperry Drive  
Cleveland, OH 44145  
Phone: 440-348-9450  
1-800-621-2508  
Fax: 440-348-9455  
E-Mail: info@unistrutohio.com

CLIENT:	
PROJECT DESCRIPTION:	
GRID SYSTEMS	