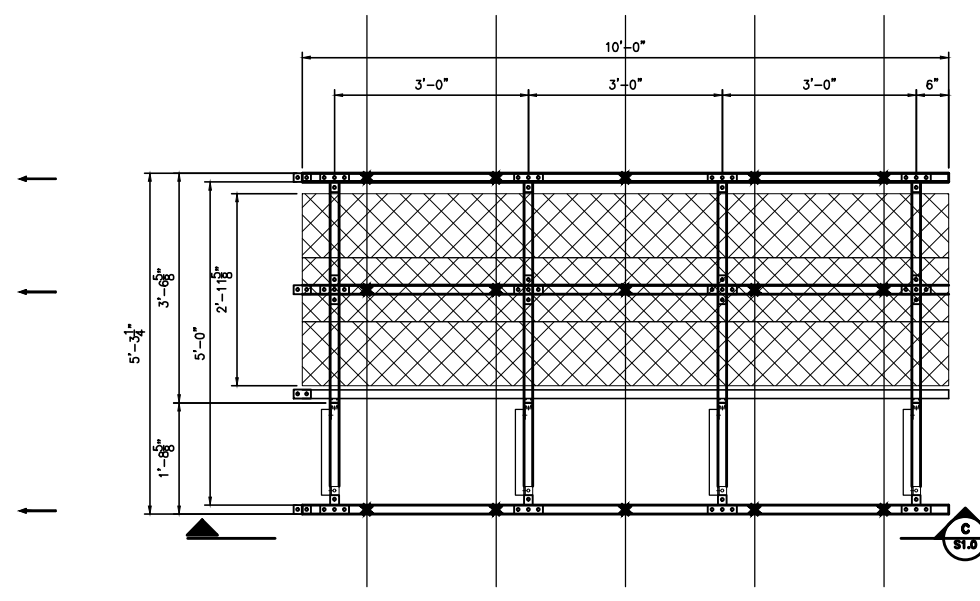


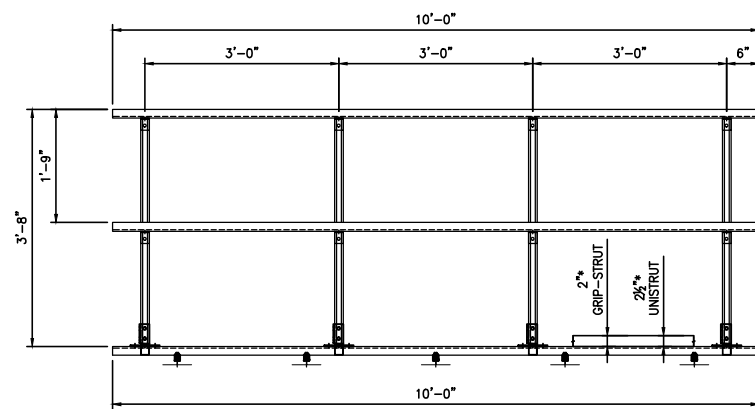
UNISTRUT PERPENDICULAR 10'-0" WALKWAY PLAN W/ 1-RAILS
PART NO. GSASG-13610-S
PART NO. GSASP-13610-S
 SCALE: 3/4"=1'-0"



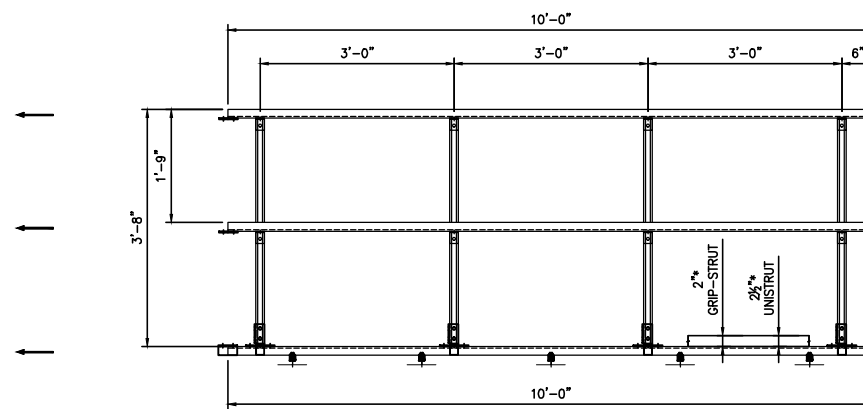
UNISTRUT PERPENDICULAR 10'-0" WALKWAY PLAN W/ 1-RAILS
PART NO. GSASG-13610-A
PART NO. GSASP-13610-A
 SCALE: 3/4"=1'-0"

COMMON FINISHES ARE PRE-GALVANIZED (PG) AND PERMA GREEN. OTHER MATERIAL AND FINISHES ARE AVAILABLE, CONTACT UNISTRUT SERVICE COMPANY FOR MORE INFORMATION

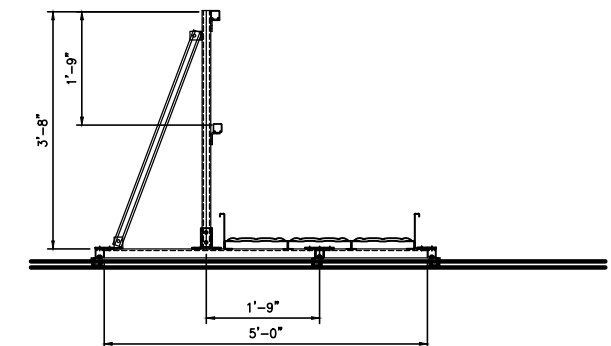
THE STANDARD DETAIL IS FOR REFERENCE ONLY, AND IS NOT CONSIDERED TO BE AN ENGINEERED SYSTEM UNLESS PURCHASED THROUGH UNISTRUT SERVICE COMPANY 24400 SPERRY DR. WESTLAKE, OHIO 44146. STANDARD DETAILS ARE FOR DESIGN INTENT ONLY. ACTUAL CONDITIONS, INCLUDING BUT NOT LIMITED TO LOADS, ELEVATIONS, OVERALL SIZE, SPACING, BUILDING STRUCTURE, FIELD CONDITIONS, MEP INTERFERENCES, ETC CAN AND WILL VARY. CONTACT UNISTRUT SERVICE COMPANY AT 440-348-9450, OR WWW.UNISTRUTOHIO.COM FOR A SITE SPECIFIC QUOTE.



SECTION A
 SCALE: 3/4"=1'-0"



SECTION C
 SCALE: 3/4"=1'-0"



SECTION B
 SCALE: 3/4"=1'-0"

NOT FOR CONSTRUCTION

Unistrut Service Company
 24400 Sperry Drive
 Cleveland, OH 44146
 Phone: 440-348-9450
 1-800-621-2508
 Fax: 440-348-9455
 E-Mail: info@UnistrutOhio.com

CLIENT:
UNISTRUT SERVICE COMPANY
 PROJECT DESCRIPTION:
USC
WESTLAKE, OHIO

DRAWING TITLE:
STANDARD ONE RAIL WALK PERP. TO SEAMS

REV. NO.	DATE	REV. DESCRIPTION	DRAWN BY	DATE	PROJECT NO.	REV. NO.	REV.
0	X		D.TURK	3/7/2017	7001	-S1.0	0
			CHECKED BY	DATE			
			OTHER	DATE			

SCALE: AS NOTED