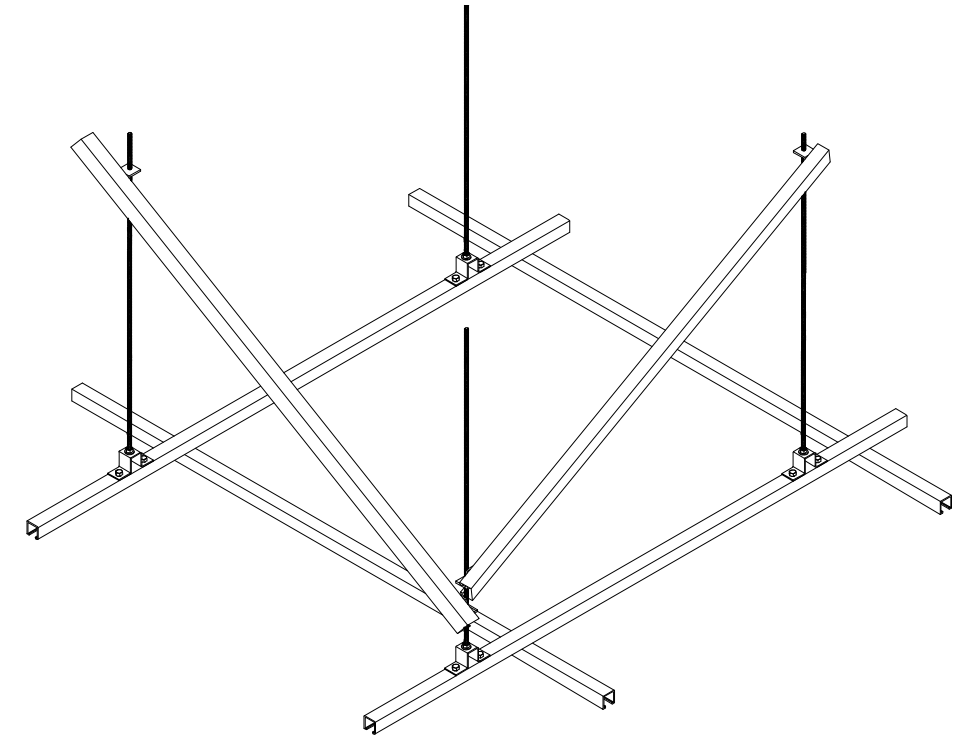


**VIEW 1**  
SCALE: 1 1/2"=1'-0"



**TYPICAL GRID-PARTIAL ISOMETRIC**

NOT TO SCALE

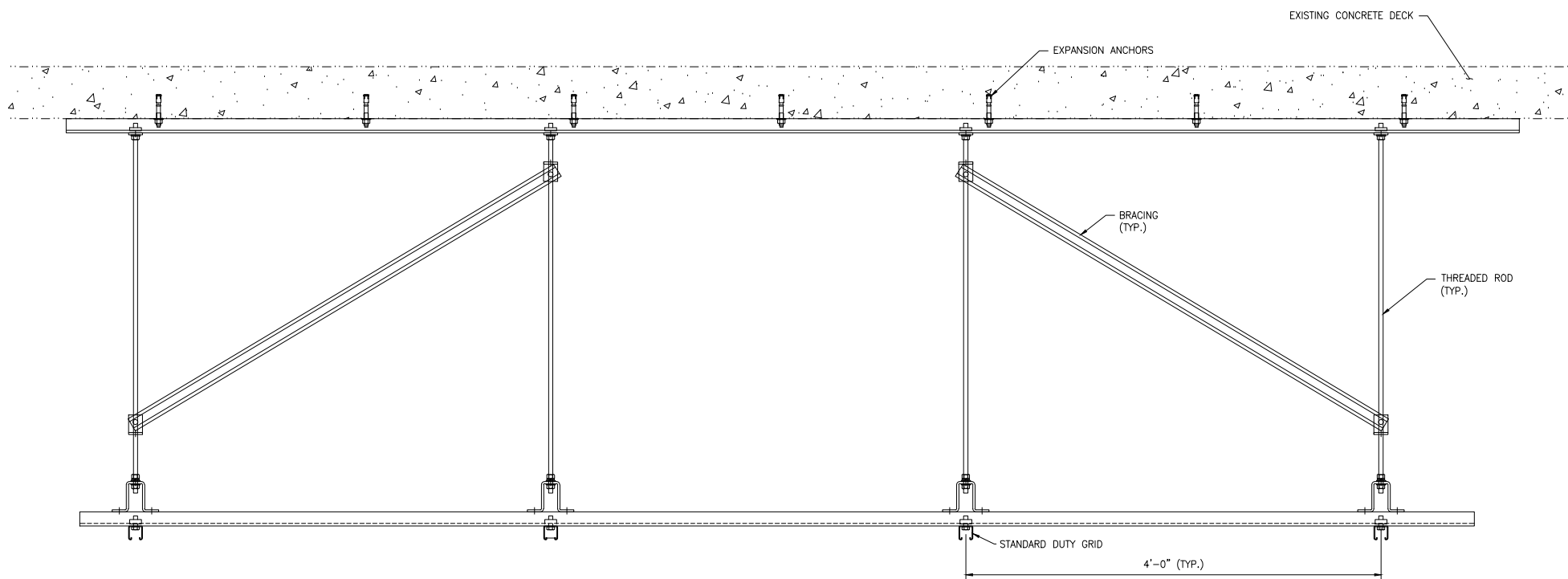
NOE: ISOMETRIC VIEW IS FOR REFERENCE ONLY, AND MAY NOT MATCH THE THE PART NUMBER SHOWN

PART# UGR-C-2P-44-SD  
ATTACH TO CONCRETE DECK, LAPPED,  
4x4, STANDARD DUTY

COMMON FINISHES ARE PRE-GALVANIZED (PG) AND PERMA GREEN. OTHER MATERIAL AND FINISHES ARE AVAILABLE, CONTACT UNISTRUT SERVICE COMPANY FOR MORE INFORMATION

THE STANDARD DETAIL IS FOR REFERENCE ONLY, AND IS *NOT* CONSIDERED TO BE AN ENGINEERED SYSTEM UNLESS PURCHASED THROUGH UNISTRUT SERVICE COMPANY 24400 SPERRY DR. WESTLAKE, OHIO 44145. STANDARD DETAILS ARE FOR DESIGN INTENT ONLY. ACTUAL CONDITIONS, INCLUDING BUT NOT LIMITED TO LOADING, ELEVATIONS, OVERALL SIZE, SPACING BUILDING STRUCTURE, FIELD CONDITIONS, MEP INTERFERENCES, ETC CAN AND WILL VARY. CONTACT UNISTRUT SERVICE COMPANY AT 440-348-9450, OR WWW.UNISTRUTOHIO.COM FOR A SITE SPECIFIC QUOTE.

**NOT FOR CONSTRUCTION**



**VIEW 2**  
SCALE: 1 1/2"=1'-0"

**Unistrut Service Company**  
24400 Sperry Drive  
Cleveland, OH 44145  
Phone: 440-348-9450  
1-800-621-2508  
Fax: 440-348-9455  
E-Mail: info@UnistrutOhio.com

CLIENT:	
PROJECT DESCRIPTION: <b>GRID SYSTEMS</b>	
DRAWING TITLE: <b>UGR-C-2P-44-SD</b>	
PROJECT NO. 7002	DWG NO. -S .
REV 0	SCALE: AS NOTED

REV. NO.	DATE	REV. DESCRIPTION	DRAWN BY:	DATE:
0			AMK	3/10/17
			CHECKED BY:	DATE:
			M.J.F.	3/15/17
			OTHER:	DATE: