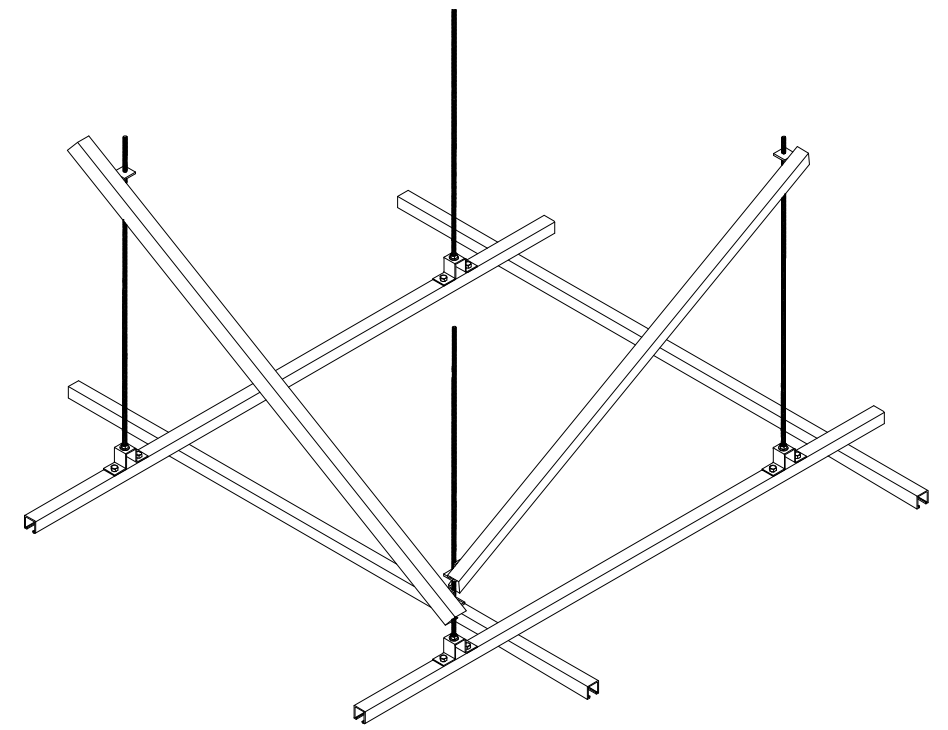


VIEW 1
SCALE: 1 1/2"=1'-0"



TYPICAL GRID-PARTIAL ISOMETRIC

NOT TO SCALE

NOE: ISOMETRIC VIEW IS FOR REFERENCE ONLY, AND MAY NOT MATCH THE THE PART NUMBER SHOWN

PART# UGR-B-2P-44-SD
ATTACH TO BEAM OR JOIST, LAPPED,
4x4, STANDARD DUTY

COMMON FINISHES ARE PRE-GALVANIZED (PG)
AND PERMA GREEN. OTHER MATERIAL AND FINISHES
ARE AVAILABLE, CONTACT UNISTRUT SERVICE COMPANY
FOR MORE INFORMATION

THE STANDARD DETAIL IS FOR REFERENCE ONLY, AND IS *NOT* CONSIDERED TO BE
AN ENGINEERED SYSTEM UNLESS PURCHASED THROUGH UNISTRUT SERVICE COMPANY
24400 SPERRY DR. WESTLAKE, OHIO 44145. STANDARD DETAILS ARE FOR DESIGN
INTENT ONLY. ACTUAL CONDITIONS, INCLUDING BUT NOT LIMITED TO LOADING,
ELEVATIONS, OVERALL SIZE, SPACING BUILDING STRUCTURE, FIELD CONDITIONS, MEP
INTERFERENCES, ETC CAN AND WILL VARY. CONTACT UNISTRUT SERVICE COMPANY
AT 440-348-9450, OR WWW.UNISTRUTOHIO.COM FOR A SITE SPECIFIC QUOTE.

**NOT FOR
CONSTRUCTION**

Unistrut Service Company
24400 Sperry Drive
Cleveland, OH 44145
Phone: 440-348-9450
1-800-621-2508
Fax: 440-348-9455
E-Mail: info@UnistrutOhio.com

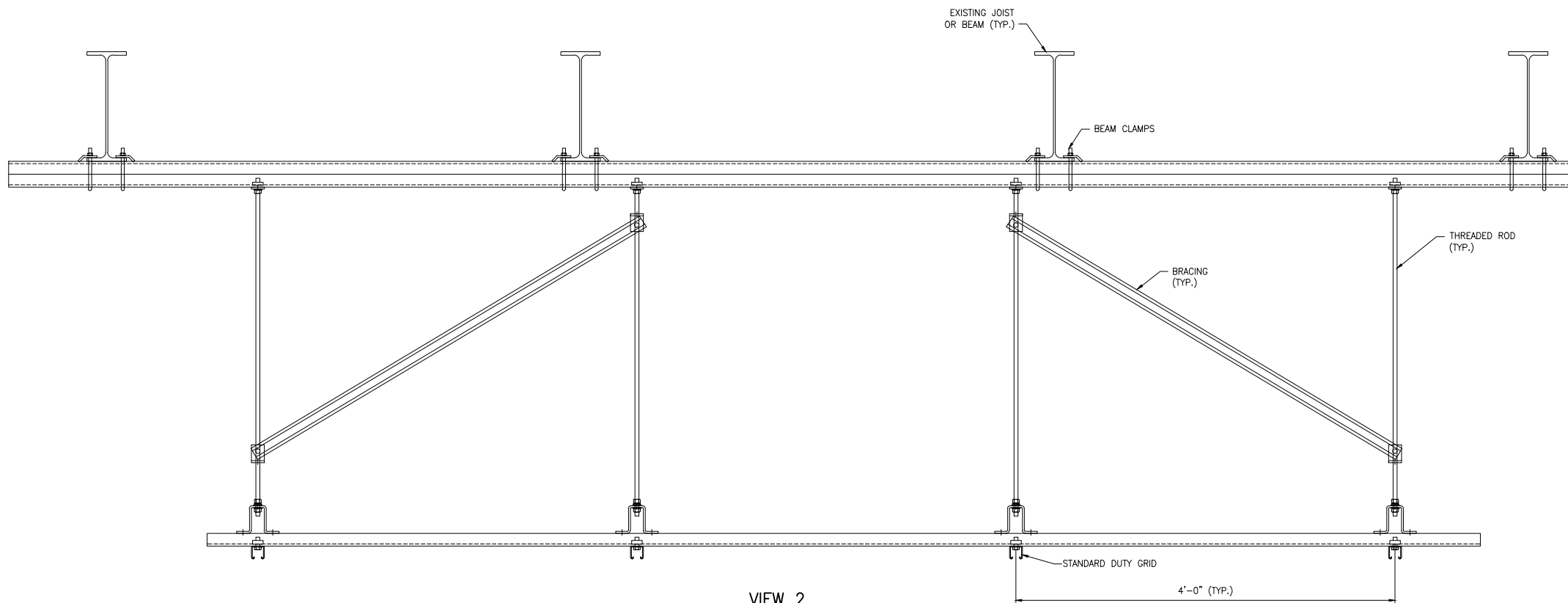
CLIENT:

PROJECT DESCRIPTION:
GRID SYSTEMS

DRAWING TITLE:
UGR-B-2P-44-SD

PROJECT NO.	DWG NO.	REV
7002	-S	0

SCALE: AS NOTED



VIEW 2
SCALE: 1 1/2"=1'-0"

REV. NO.	DATE	REV. DESCRIPTION
0		

DRAWN BY:	DATE:
AMK	3/10/17
CHECKED BY:	DATE:
M.J.F.	3/15/17
OTHER:	DATE: