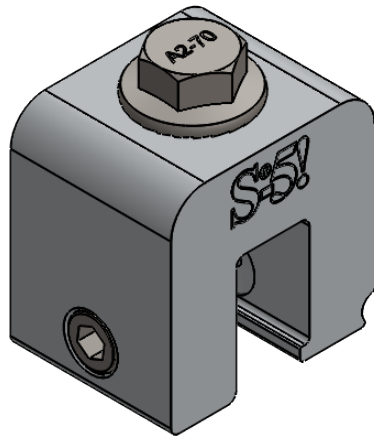
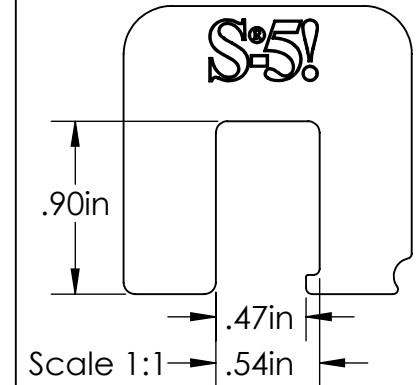
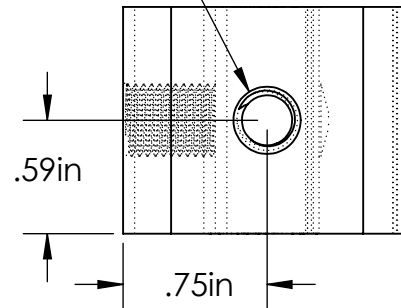


S-5-V Mini



M8-1.25 Threaded Hole

Top

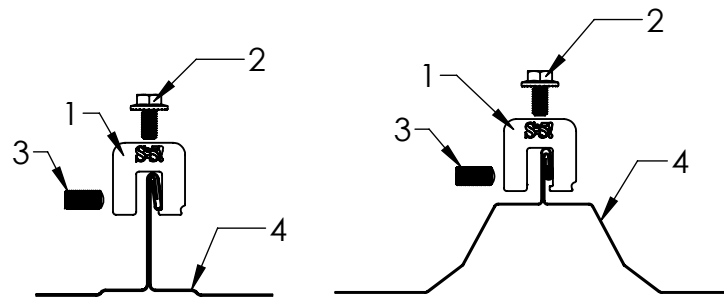
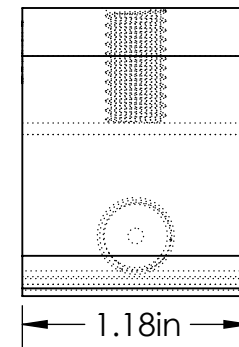
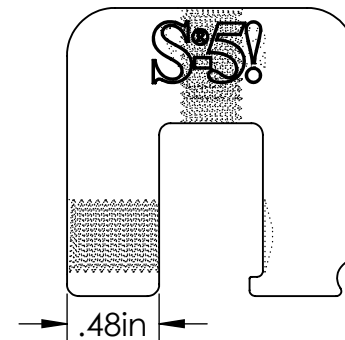
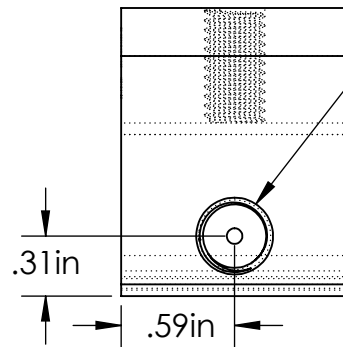
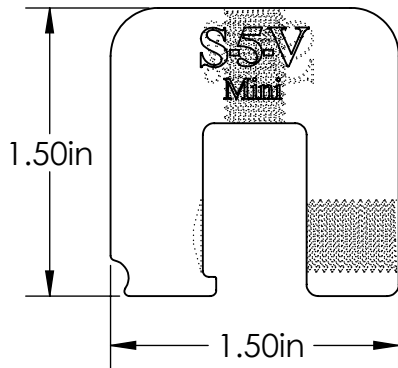


Back

Left

Front

Right



General Notes:

1. S-5-V Mini Clamp
2. M8-1.25 Stainless Steel Hex Flange Bolt (13mm Socket)
3. 3/8-24 Stainless Steel Round Point Setscrew (3/16 Hex Drive)
4. Example Roof

FOR STANDING SEAM SPECIFIC MECHANICAL LOAD TEST INFORMATION AND CLAMP INSTALLATION INFORMATION PLEASE VISIT: WWW.S-5.COM

MATERIAL: 6061 T6 Al	 The Right Way!		METAL ROOF INNOVATIONS, LTD. 8655 TABLE BUTTE RD COLORADO SPRINGS, CO 80908 719-495-0518 719-495-0045(FAX)	
EST ASSEMBLY WEIGHT: 0.238 lbs				
SUPPLIED HARDWARE: M8-1.25 x 16 mm Bolt 3/8-24 x .800" Setscrew	TITLE S-5-V Mini			
SCALE: 1:1	DRAWING NO. V07-A-1-C	DRAWN BY Kati Kadakas	DATE 4/11/2016	
EST. WEIGHTS: Clamp: 0.1865 lbs Setscrew: 0.0170 lbs Bolt: 0.0345 lbs	S-5® PRODUCTS ARE PROTECTED BY MULTIPLE U.S. AND FOREIGN PATENTS. VISIT OUR WEBSITE AT WWW.S-5.COM FOR COMPLETE INFORMATION ON PATENTS AND TRADEMARKS.			